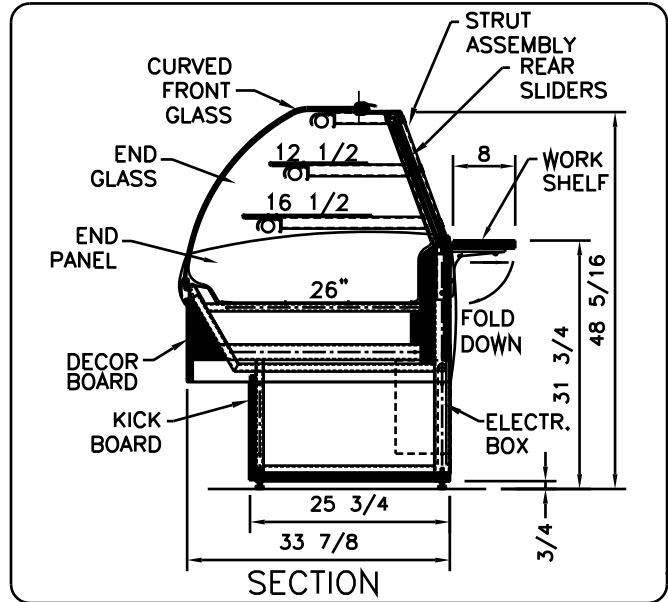
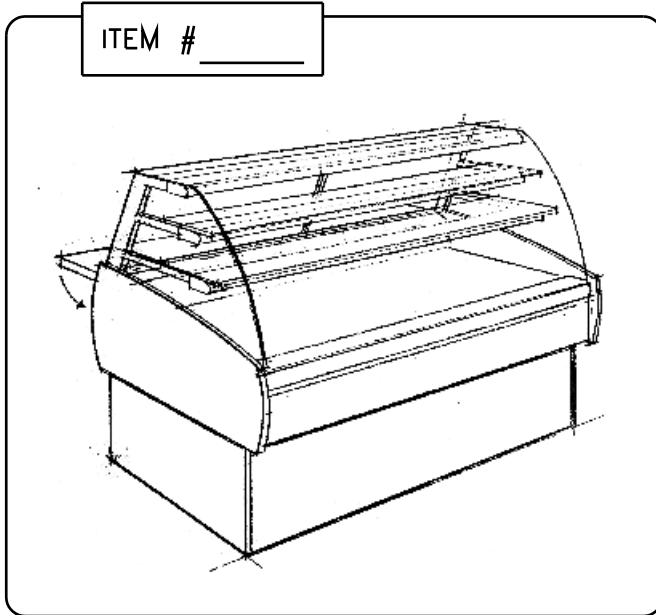




The Diamond 49 Series

DST-DRY STANDARD



SPECS: Aluminum frame; leveling legs; series 300 stainless steel interior; epoxy point upper structure; anodized aluminum trim; .25 tempered shelf; end and front curved glass; tilt-out front glass STD.; lights w/ spectrum sleeves all shelves; 3/4" plywood finish millwork.
ETL Sanitation listed to NSF Standards 2.

- | EUROPEAN CURVED GLASS | Standard | Optional |
|-----------------------|--------------------------|----------|
| Tilt-Out Front Glass | <input type="checkbox"/> | |
| Lift-Up Front Glass | <input type="checkbox"/> | |

- UPPER STRUCTURE
- | | |
|---------------------------|--------------------------|
| Epoxy Point -White | <input type="checkbox"/> |
| Epoxy Point -Black | <input type="checkbox"/> |
| Epoxy Point -Other colors | <input type="checkbox"/> |

- ALUMINUM TRIM
- | | |
|--------------------------|--------------------------|
| Chrome Anodized | <input type="checkbox"/> |
| Brass Anodized | <input type="checkbox"/> |
| Epoxy Powder Paint Color | <input type="checkbox"/> |

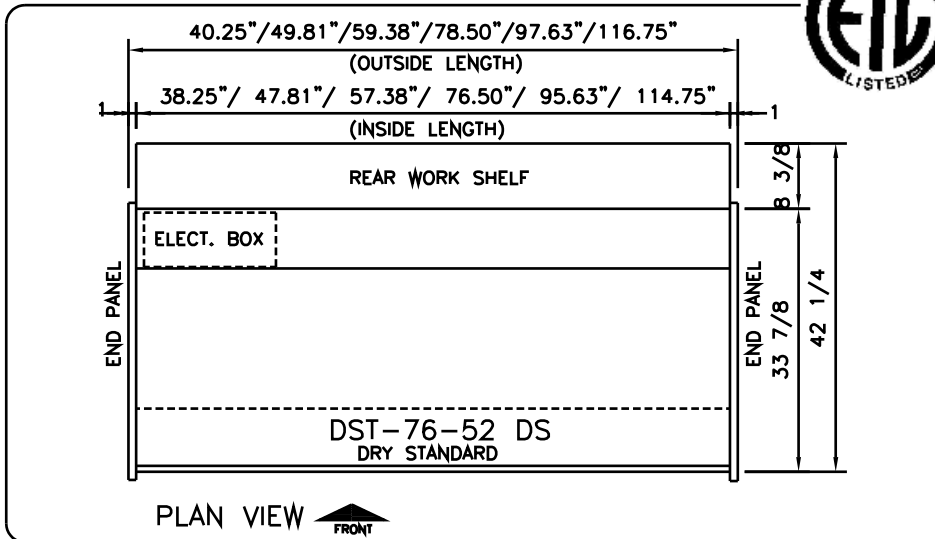
- END/ DIVIDER GLASS
- | | |
|------------------------|--------------------------|
| 1/4" Tempered | <input type="checkbox"/> |
| 1/4" Temp.-Mirror Film | <input type="checkbox"/> |

- SLIDING DOORS
- | | |
|----------------------|--------------------------|
| Clear Plexi | <input type="checkbox"/> |
| Plexi w/ Mirror Film | <input type="checkbox"/> |

- END PANELS/DECOR BD/KICKBD
- | | |
|-------------------------|--------------------------|
| PI.Laminate on Plywood | <input type="checkbox"/> |
| Maple,Cherry,Oak Veneer | <input type="checkbox"/> |
| Stainless Steel | <input type="checkbox"/> |

- FOLD-DOWN REAR WORK SHELF
- | | |
|---------------------|--------------------------|
| Wilsonart Fr. White | <input type="checkbox"/> |
| Saniboard | <input type="checkbox"/> |
| Surell | <input type="checkbox"/> |
| Stainless Steel | <input type="checkbox"/> |

- EQUIPMENT
- | | |
|--------------------|--------------------------|
| Self-Service Doors | <input type="checkbox"/> |
|--------------------|--------------------------|



MODEL	LENGTH in mm	VOLTAGE	AMPS REMOTE <input type="checkbox"/>	AMPS SELF-CONT. <input type="checkbox"/>
<input type="checkbox"/> DST-38-49 DS	38.25" 972	115V/1/60	1.5	-
<input type="checkbox"/> DST-48-49 DS	47.81" 1214	115V/1/60	1.5	-
<input type="checkbox"/> DST-57-49 DS	57.38" 1457	115V/1/60	1.7	-
<input type="checkbox"/> DST-76-49 DS	76.50" 1943	115V/1/60	3.0	-
<input type="checkbox"/> DST-96-49 DS	95.63" 2429	115V/1/60	3.0	-
<input type="checkbox"/> DST-115-49DS	114.75" 2915	115V/1/60	3.4	-