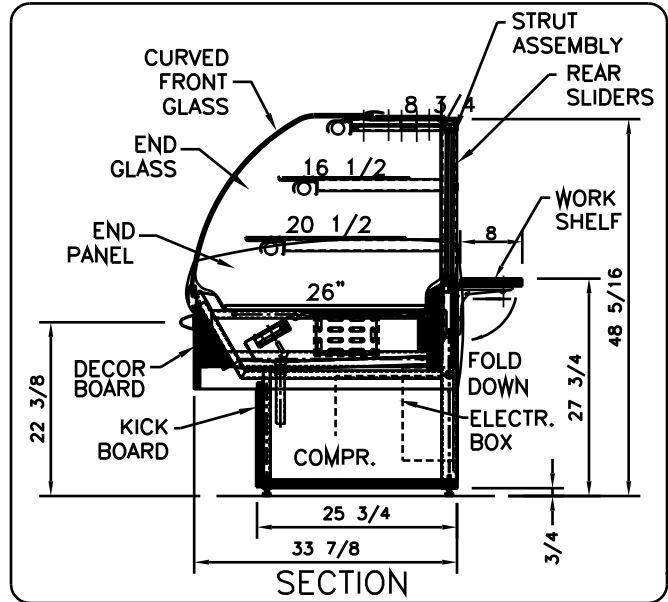
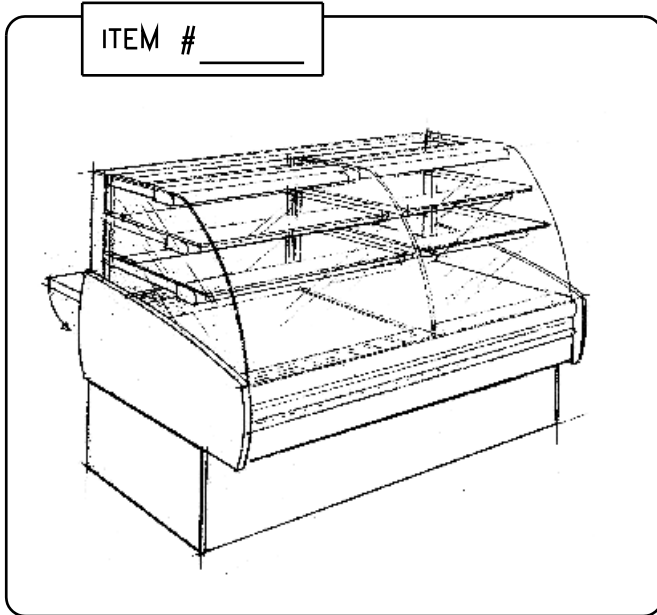




The Diamond 49 Series

DTRD-DUAL TEMPERATURE CASE



SPECS: Aluminum frame; leveling legs; series 300 stainless steel interior; epoxy point upper structure; anodized aluminum trim; .25 tempered shelf; end glass; tilt-out front glass STD.; lights w/ spectrum sleeves all shelves; 3/4" plywood finish millwork; self-contained (R134a) w/ hot gas evaporator or remote. ETL sanitation listed to NSF 7 and 2. Refrigerated cases are fitted with a defogging system that will keep the front glass clear of moisture in a controlled environment not exceeding 75°F and 55% relative humidity.

	Standard	Optional
EUROPEAN CURVED GLASS		
Tilt-Out Front Glass	<input type="checkbox"/>	
Lift-Up Front Glass		<input type="checkbox"/>

UPPER STRUCTURE	
Epoxy Point - White	<input type="checkbox"/>
Epoxy Point - Black	<input type="checkbox"/>
Epoxy Point - other colors	<input type="checkbox"/>

ALUMINUM TRIM	
Chrome Anodized	<input type="checkbox"/>
Brass Anodized	<input type="checkbox"/>
Epoxy paint colors	<input type="checkbox"/>

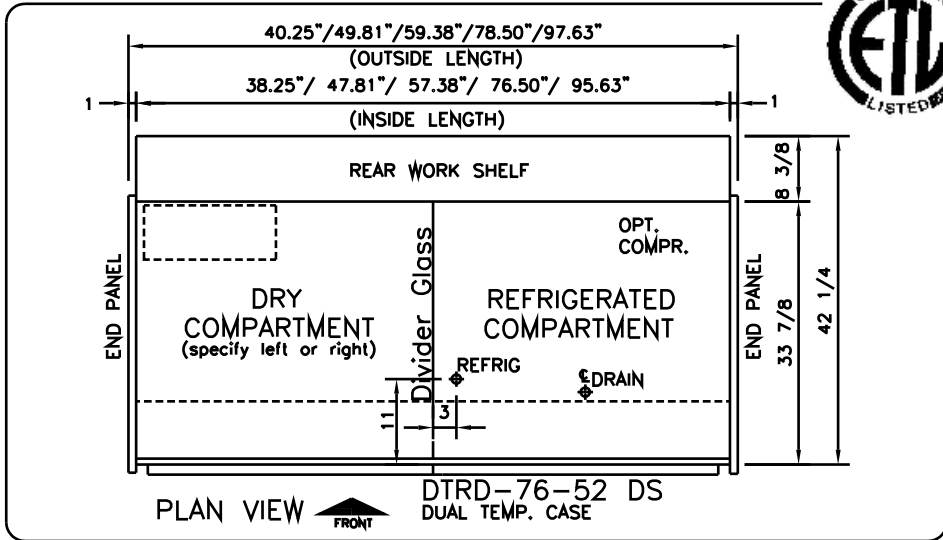
END/ DIVIDER GLASS	
1/4" Tempered	<input type="checkbox"/>
1/4" Temp.-Mirror Film	<input type="checkbox"/>

SLIDING DOORS	
Clear Plexi	<input type="checkbox"/>
Plexi w/ Mirror Film	<input type="checkbox"/>

END PANELS/DECOR BD/KICKBD	
Pl.Laminate on Plywood	<input type="checkbox"/>
Maple,Cherry,Oak Veneer	<input type="checkbox"/>
Stainless Steel	<input type="checkbox"/>

FOLD-DOWN REAR WORK SHELF	
Wilsonart Fr. White	<input type="checkbox"/>
Saniboard	<input type="checkbox"/>
Surell	<input type="checkbox"/>
Stainless Steel	<input type="checkbox"/>

EQUIPMENT	
Defogging System	<input checked="" type="checkbox"/>
Self-Service Doors	<input type="checkbox"/>
Adjustable Shelves	<input type="checkbox"/>



MODEL	LENGTH in mm	VOLTAGE	AMPS REMOTE <input type="checkbox"/>	AMPS SELF-CONT. <input type="checkbox"/>
<input type="checkbox"/> DTRD-48-49 DS	47.81"	1214	115V/1/60	3.5 13.5
<input type="checkbox"/> DTRD-57-49 DS	57.38"	1457	115V/1/60	4.0 14.0
<input type="checkbox"/> DTRD-76-49 DS	76.50"	1943	115V/1/60	4.3 16.3
<input type="checkbox"/> DTRD-96-49 DS	95.63"	2429	115V/1/60	5.5 17.5

Z:\Documents and Settings\All Users\Documents\cat203\dies49.dwg, 18-DTRD.dwg, 7/15/2003 10:26:12 AM, Jayne Hurley