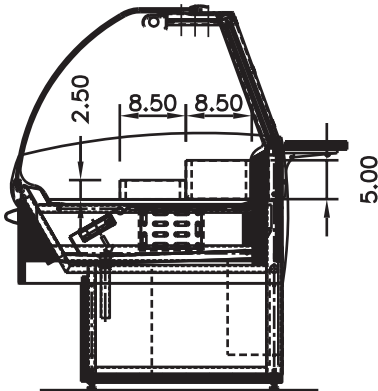


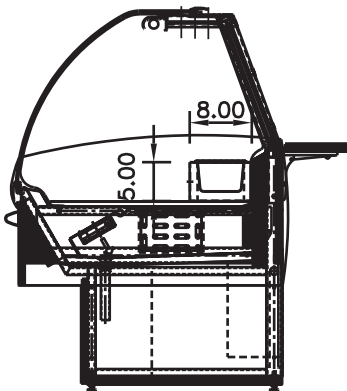
SINGLE STEP

Mirrored finished stainless steel
13" deep, 2 1/2" high in 19" and
23 1/2" sections other lengths
or depth available. Ask factory



DOUBLE STEP

Mirrored finished stainless steel
SET OF:
8 1/2" deep, 2 1/2" high
8 1/2" deep, 5" high
in 19" and 23 1/2" sections other lengths
available. Ask factory



STEPPED INLAYED FOR FS PANS

Mirrored finished stainless steel
8" deep, 5" high
Specify opening for:
-Quartess size FS pans (6 7/8" deep)
-Sixth or Ninth FS pans (6 7/8" deep)
(pans max. 4" deep)
in 38 1/4", 47 13/16" and 57 3/8" sections
(pans not included)
Note: can be combined with step 8 1/2" x 2 1/2"
from double step. Ask factory.