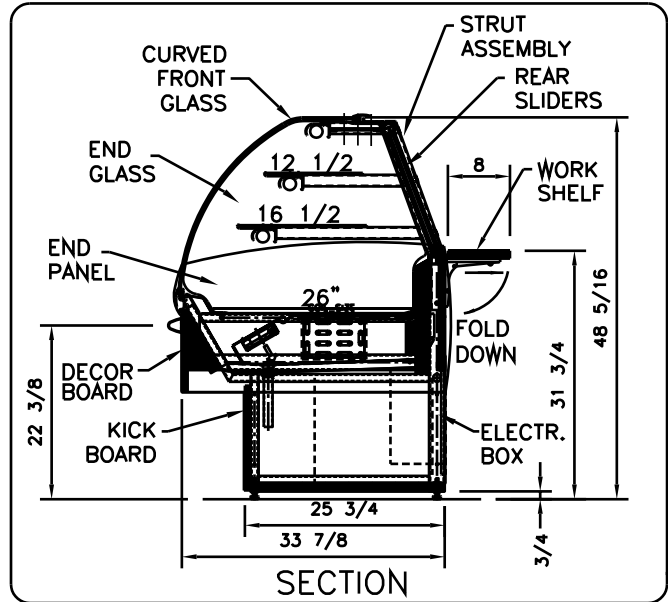
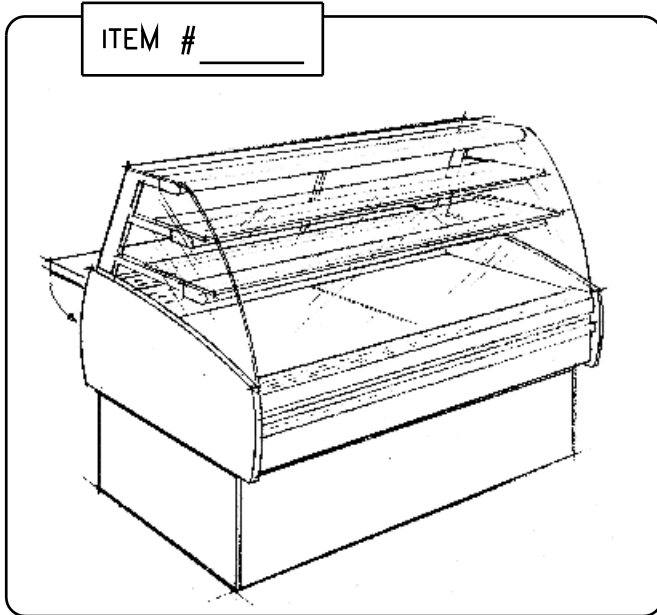




The Diamond 49 Series

RST-REFRIGERATED STANDARD



SPECS: Aluminum frame; leveling legs; series 300 stainless steel interior; epoxy point upper structure; anodized aluminum trim; .25 tempered shelf; end and front curved glass; tilt-out front glass STD.; lights w/ spectrum sleeves all shelves; Laminated plywood finish; self-contained (R134a) w/ hot gas evaporator or remote; refrigerated cases are fitted with a defogging system that will keep the front glass clear of moisture in a controlled environment not exceeding 75°F and 55% relative humidity. ETL sanitation listed to NSF 7.

- | | | |
|------------------------------|--------------------------|--------------------------|
| EUROPEAN CURVED GLASS | Standard | Optional |
| Tilt-Out Front Glass | <input type="checkbox"/> | <input type="checkbox"/> |
| Lift-Up Front Glass | <input type="checkbox"/> | <input type="checkbox"/> |

- | | |
|----------------------------|--------------------------|
| UPPER STRUCTURE | |
| Epoxy Point -White | <input type="checkbox"/> |
| Epoxy Point -Black | <input type="checkbox"/> |
| Epoxy Point - other colors | <input type="checkbox"/> |

- | | |
|----------------------|--------------------------|
| ALUMINUM TRIM | |
| Chrome Anodized | <input type="checkbox"/> |
| Brass Anodized | <input type="checkbox"/> |
| Epoxy paint colors | <input type="checkbox"/> |

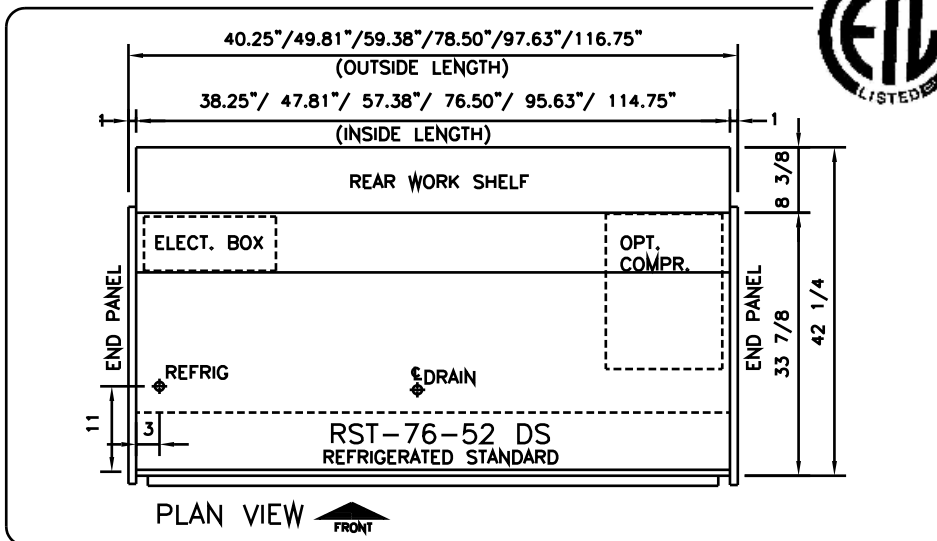
- | | |
|--------------------------|--------------------------|
| END/DIVIDER GLASS | |
| 1/4" Tempered | <input type="checkbox"/> |
| 1/4" Temp.-Mirror Film | <input type="checkbox"/> |

- | | |
|----------------------|--------------------------|
| SLIDING DOORS | |
| Clear Plexi | <input type="checkbox"/> |
| Plexi w/ Mirror Film | <input type="checkbox"/> |

- | | |
|-----------------------------------|--------------------------|
| END PANELS/DECOR BD/KICKBD | |
| PI.Laminate on Plywood | <input type="checkbox"/> |
| Maple,Cherry,Oak Veneer | <input type="checkbox"/> |
| Stainless Steel | <input type="checkbox"/> |

- | | |
|----------------------------------|--------------------------|
| FOLD-DOWN REAR WORK SHELF | |
| Wilsonart Fr. White | <input type="checkbox"/> |
| Saniboard | <input type="checkbox"/> |
| Surell | <input type="checkbox"/> |
| Stainless Steel | <input type="checkbox"/> |

- | | |
|--------------------|-------------------------------------|
| EQUIPMENT | |
| Defogging System | <input checked="" type="checkbox"/> |
| Humidifier | <input type="checkbox"/> |
| Self-Service Doors | <input type="checkbox"/> |



MODEL	LENGTH in mm	VOLTAGE	AMPS REMOTE <input type="checkbox"/>	AMPS SELF-CONT. <input type="checkbox"/>
<input type="checkbox"/> RST-38-49 DS	38.25" 972	115V/1/60	3.1	13.1
<input type="checkbox"/> RST-48-49 DS	47.81" 1214	115V/1/60	3.1	15.1
<input type="checkbox"/> RST-57-49 DS	57.38" 1457	115V/1/60	3.3	15.3
<input type="checkbox"/> RST-76-49 DS	76.50" 1943	115V/1/60 230V/1/60	6.2	6.7 8.7
<input type="checkbox"/> RST-96-49 DS	95.63" 2429	115V/1/60 230V/1/60	6.2	6.7 8.7
<input type="checkbox"/> RST-115-49DS	114.75" 2915	115V/1/60 230V/1/60	6.6	7.1 8.7