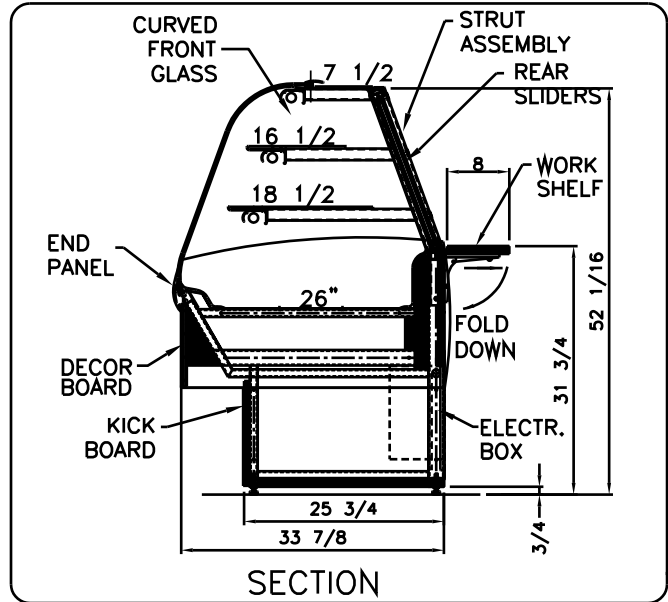
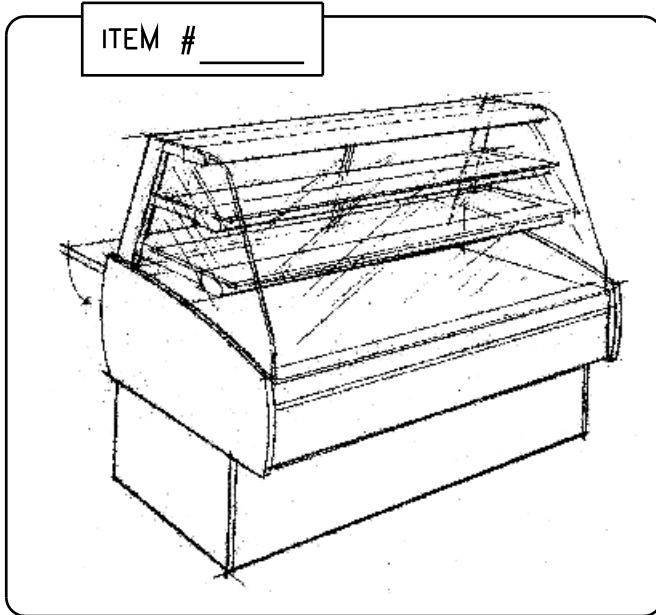


# The Diamond 52 Series

## DST-DRY STANDARD



SPECS: Aluminum frame; leveling legs; series 300 stainless steel interior; epoxy point upper structure; anodized aluminum trim; .25 tempered shelf, end and front curved glass; tilt-out front glass STD.; lights w/ spectrum sleeves all shelves; laminated plywood finish.  
ETL Sanitation listed to NSF Standards 2.

	Standard	Optional
<b>EUROPEAN CURVED GLASS</b>		
Tilt-Out Front Glass	<input type="checkbox"/>	
Lift-Up Front Glass	<input type="checkbox"/>	
Non-Glare Glass	<input type="checkbox"/>	

<b>UPPER STRUCTURE</b>		
Epoxy Point -White	<input type="checkbox"/>	
Epoxy Point -Black	<input type="checkbox"/>	
Epoxy Point -Other colors	<input type="checkbox"/>	

<b>ALUMINUM TRIM</b>		
Chrome Anodized	<input type="checkbox"/>	
Brass Anodized	<input type="checkbox"/>	
Epoxy Powder Paint Color	<input type="checkbox"/>	

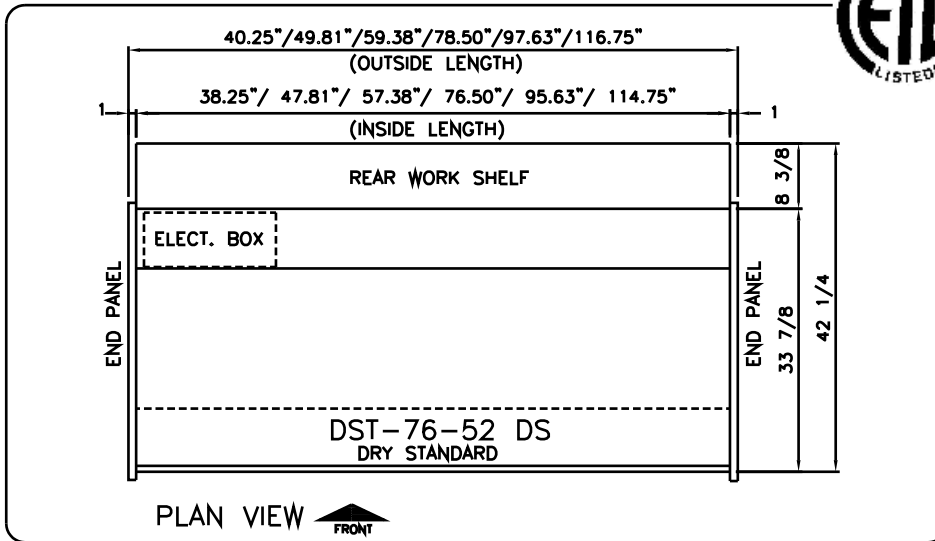
<b>END/ DIVIDER GLASS</b>		
1/4" Tempered	<input type="checkbox"/>	
1/4" Temp.-Mirror Film	<input type="checkbox"/>	

<b>SLIDING DOORS</b>		
Clear Plexi	<input type="checkbox"/>	
Plexi w/ Mirror Film	<input type="checkbox"/>	

<b>END PANELS/DECOR BD/KICKBD</b>		
Pl.Laminate on Plywood	<input type="checkbox"/>	
Maple,Cherry,Oak Veneer	<input type="checkbox"/>	
Stainless Steel	<input type="checkbox"/>	

<b>FOLD-DOWN REAR WORK SHELF</b>		
Wilsonart Fr. White	<input type="checkbox"/>	
Saniboard	<input type="checkbox"/>	
Surell	<input type="checkbox"/>	
Stainless Steel	<input type="checkbox"/>	

<b>EQUIPMENT</b>		
Self-Service Doors	<input type="checkbox"/>	



MODEL	LENGTH in mm	VOLTAGE	AMPS REMOTE <input type="checkbox"/>	AMPS SELF-CONT. <input type="checkbox"/>
<input type="checkbox"/> DST-38-52 DS	38.25" 972	115V/1/60	1.5	
<input type="checkbox"/> DST-48-52 DS	47.81" 1214	115V/1/60	1.5	
<input type="checkbox"/> DST-57-52 DS	57.38" 1457	115V/1/60	1.7	
<input type="checkbox"/> DST-76-52 DS	76.5" 1943	115V/1/60	3.0	
<input type="checkbox"/> DST-96-52 DS	95.63" 2429	115V/1/60	3.0	
<input type="checkbox"/> DST-115-52DS	114.75" 2915	115V/1/60	3.4	