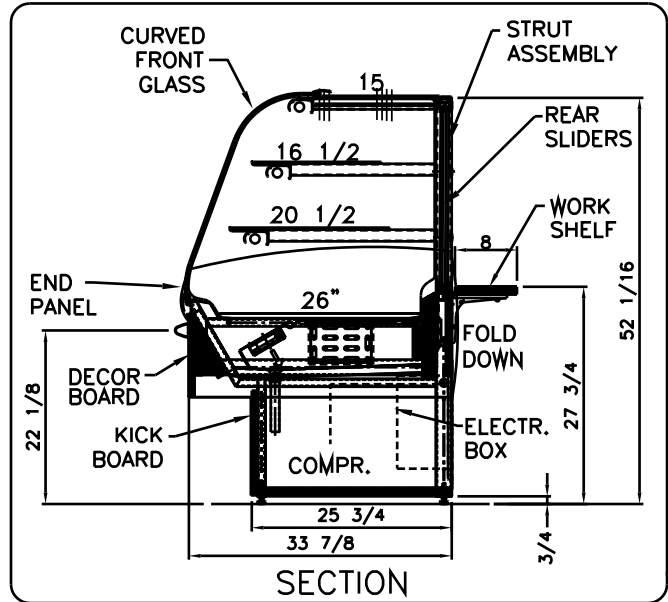
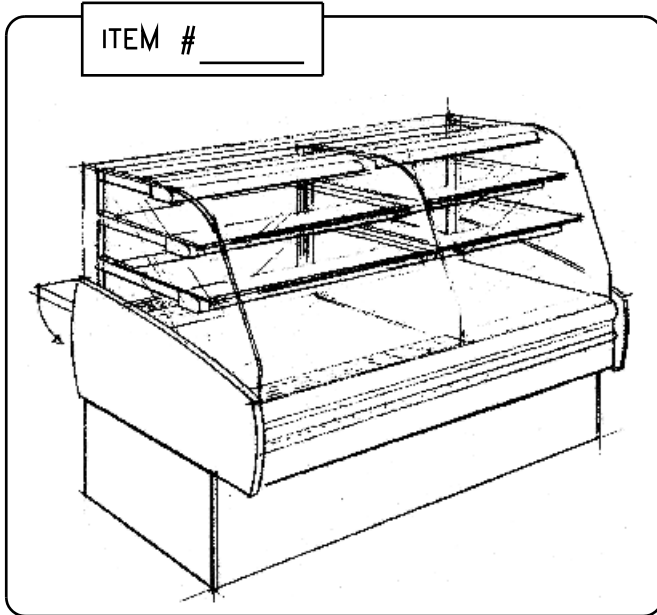




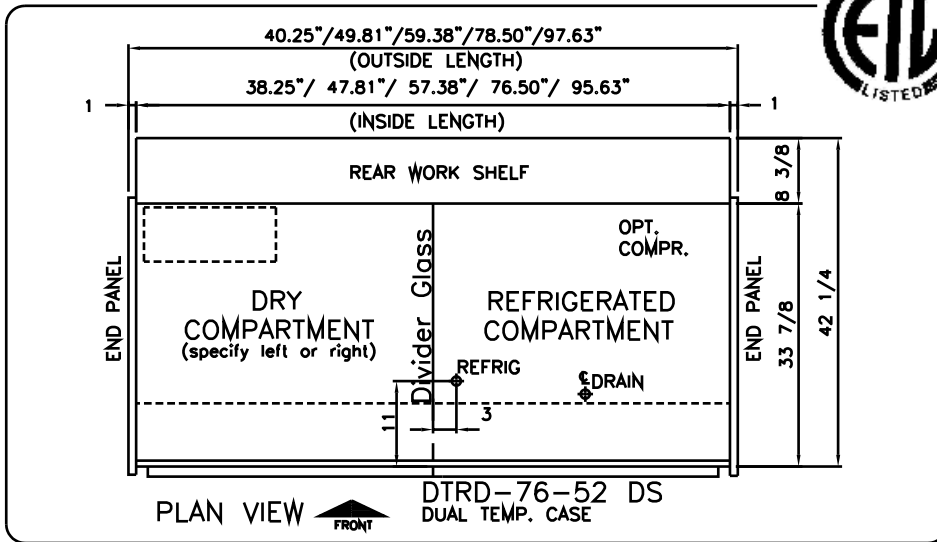
The Diamond 52 Series

DTRD-DUAL TEMPERATURE CASE



SPECS: Aluminum frame; leveling legs; series 300 stainless steel interior; epoxy point upper structure; anodized aluminum trim; .25 tempered shelf; end glass; tilt-out front glass STD.; lights w/ spectrum sleeves all shelves; 3/4" plywood finish millwork; self-contained (R134a) w/ hot gas evaporator or remote. Refrigerated cases are fitted with a defogging system that will keep the front glass clear of moisture in a controlled environment not exceeding 75°F and 55% relative humidity. ETL sanitation listed to NSF 7 and 2.

- | | Standard | Optional |
|-----------------------------------|-------------------------------------|----------|
| EUROPEAN CURVED GLASS | | |
| Tilt-Out Front Glass | <input type="checkbox"/> | |
| Lift-Up Front Glass | <input type="checkbox"/> | |
| Non-Glare Glass | <input type="checkbox"/> | |
| UPPER STRUCTURE | | |
| Epoxy Point -White | <input type="checkbox"/> | |
| Epoxy Point -Black | <input type="checkbox"/> | |
| Epoxy Point - other colors | <input type="checkbox"/> | |
| ALUMINUM TRIM | | |
| Chrome Anodized | <input type="checkbox"/> | |
| Brass Anodized | <input type="checkbox"/> | |
| Epoxy paint colors | <input type="checkbox"/> | |
| END/ DIVIDER GLASS | | |
| 1/4" Tempered | <input type="checkbox"/> | |
| 1/4" Temp.-Mirror Film | <input type="checkbox"/> | |
| SLIDING DOORS | | |
| Clear Plexi | <input type="checkbox"/> | |
| Plexi w/ Mirror Film | <input type="checkbox"/> | |
| END PANELS/DECOR BD/KICKBD | | |
| Pl.Laminate on Plywood | <input type="checkbox"/> | |
| Maple,Cherry,Oak Veneer | <input type="checkbox"/> | |
| Stainless Steel | <input type="checkbox"/> | |
| FOLD-DOWN REAR WORK SHELF | | |
| Wilsonart Fr. White | <input type="checkbox"/> | |
| Saniboard | <input type="checkbox"/> | |
| Surell | <input type="checkbox"/> | |
| Stainless Steel | <input type="checkbox"/> | |
| EQUIPMENT | | |
| Defogging System | <input checked="" type="checkbox"/> | |
| Humidifier | <input type="checkbox"/> | |
| Self-Service Doors | <input type="checkbox"/> | |
| Adjustable Shelves | <input type="checkbox"/> | |



MODEL	LENGTH in mm	VOLTAGE	AMPS REMOTE <input type="checkbox"/>	AMPS SELF-CONT. <input type="checkbox"/>	
<input type="checkbox"/> DTRD-48-52 DS	47.81"	1214	115V/1/60	3.5	13.5
<input type="checkbox"/> DTRD-57-52 DS	57.38"	1457	115V/1/60	4.0	14.0
<input type="checkbox"/> DTRD-76-52 DS	76.50"	1943	115V/1/60	4.3	16.3
<input type="checkbox"/> DTRD-96-52 DS	95.63"	2429	115V/1/60	5.5	17.5