



THE DIAMOND 52 SERIES SPECIFICATIONS

The Diamond 52 series is Arctica's **'TOP-OF-THE-LINE'** showcase and is available in six standard lengths and 52" height.

45 and 90 degree inside and outside corner cases are NOT available!

CONSTRUCTION:

Sturdy, indestructible welded aluminum construction.

INTERIOR FINISH:

All metal parts in the refrigeration compartment (or hot cases) are made of 300 series stainless steel. Air ducts and inlays are made of mirror finished stainless steel.

REFRIGERATION SYSTEM:

The display area is refrigerated on all levels (shelves) between 34 and 40F based on max. 80F ambient temperature. Slow moving fans and an oversized evaporator coil with 5000 square inches of cooling surface per foot guarantee gentle cooling with up to 75% humidity. For higher humidity levels refer to **Arctica's humidification system**.

SELF-CONTAINED REFRIGERATION: (optional)

All Arctica cases are available for self-contained applications. The refrigeration system is based on CFC free R134a and has a built-in hot gas evaporator (no drains necessary). Compressors up to 1/2 HP are wired directly to Arctica's electrical control box (115V); 3/4 HP compressors require a separate circuit (220/208) to the main panel.

HUMIDIFICATION SYSTEM: (optional)

Arctica's unique self-cleaning ultra-sonic humidification system is the first nearly maintenance free humidifier on the market. With up to 90% humidity it provides the ultimate in product freshness, reducing dry-out losses significantly and extending product shelf life by more than 50%.

NOTE: An Arctica water treatment system for the supply line is recommended; in hard water conditions its mandatory. **Do not sell a humidifier without floor drain!**

DEFOGGING SYSTEM: (standard)

All refrigerated cases are automatically fitted with a defogging system. The defogging system will keep the front and top glass clear of moisture in a controlled store environment not exceeding 75F and 55% relative humidity.

COLOR CORRECTED LIGHTS: (standard)

All Arctica cases are standard equipped with lights on each shelf. All lights are protected with SPECTRUM sleeves to enhance the natural look of the product on display. The SPECTRUM sleeve provides a true color rendition, glare reduction and UV protection and works with a standard cool white fluorescent light.

EXTERIOR FINISHING:

All exterior components (work shelves, decor boards & kick boards) are made of first grade plywood for maximum durability, covered with your choice of materials. End panels are made of baltic plywood with exposed decorative edge.

THE DIAMOND 52 SERIES SPECIFICATIONS

LENGTH & HEIGHT: (mm in brackets)

- 38.25" (972), 47.81" (1214), 57.38" (1457), 76.50" (1943), 95.63" (2429), 114.75" (2915)
- Add 1" (25) for each end panel.
- Case height 52" (1333)
- **CORNER CASES are NOT AVAILABLE in this series.**

CURVED FRONT GLASS: (standard)

- Tempered .25" curved glass, standard tilt-out (tilt forward), **hydraulic lift-up optional.**
- **Lens shaped and flat glass available without up charge! (See page 4)**

NON-GLARE FRONT GLASS: (optional lens shape - limited availability!)

- Tempered .25" curved NON-GLARE glass, standard tilt-out, **hydraulic lift-up optional.**

SHELF & SIDE GLASS: Tempered glass, .25" standard. End glass mirror film optional.

- Some models available with adjustable shelves! (Most straight back models)

SLIDING DOORS: 3/8" Pet G plexi glass in aluminum frame. Mirror film optional.

UPPER STRUCTURE / STRUT ASSEMBLY:

- White or black epoxy powder coated standard, 7 more optional colors available.

LIGHT CANOPIES / GLASS CLAMPS:

- Brass or chrome polished anodized aluminum standard, 9 epoxy powder colors optional.

DECOR & KICK BOARDS, END PANELS & WORK SHELVES:

- Plywood, choice of 8 standard plastic laminates (see Color Chart)
- Other plastic laminates, hardwood or stainless steel optional.
- Fold down work shelf surfaces also available in Surell (white) or sani board (white)

AIRDUCTS / INLAYS: Mirror finished stainless steel standard, epoxy paint colors optional.

DRAWER ASSEMBLY:

- White or black epoxy powder coated with white or black plastic laminate.

FLUORESCENT LAMPS:

- T8 cool white with SPECTRUM color correcting and UV protecting security sleeve.

WARRANTY:

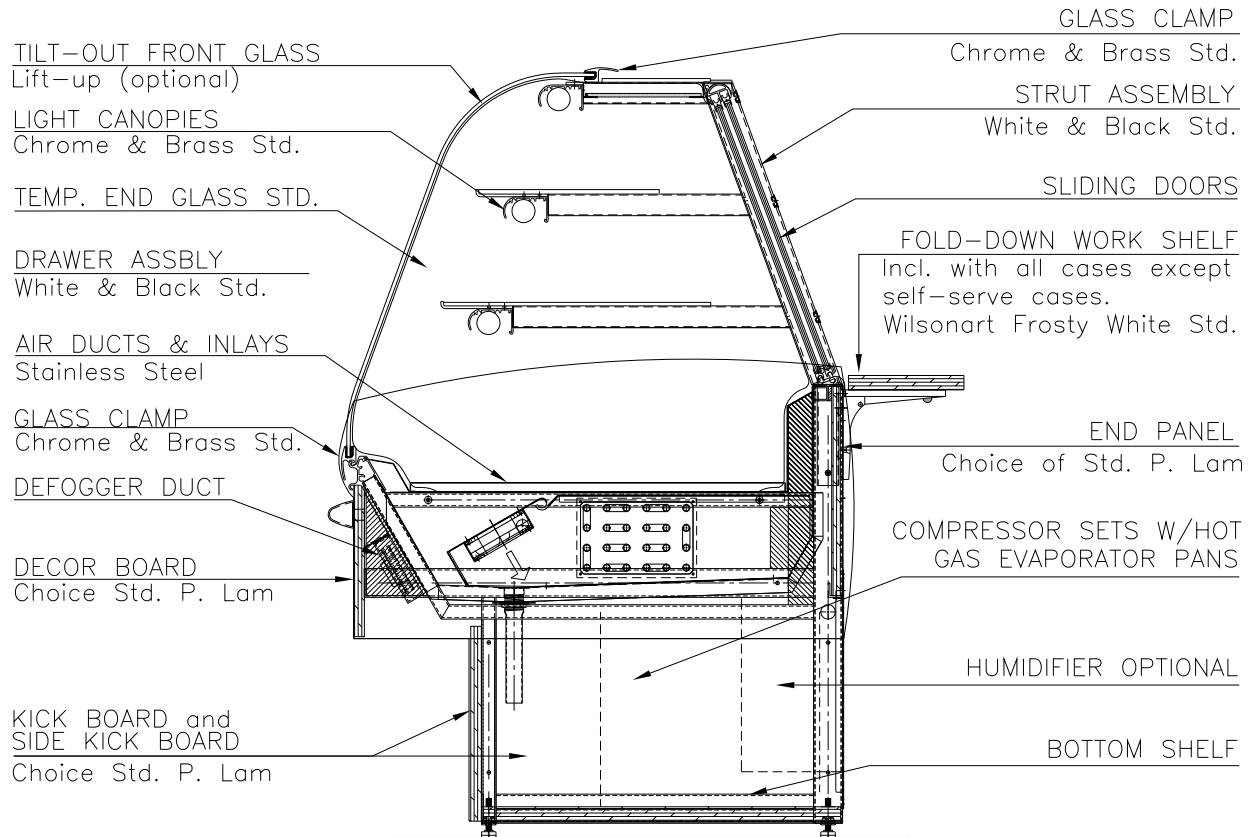
- All Arctica products are covered by a **ONE YEAR PARTS & LABOR** warranty.
- Refrigerated cases ordered with self-contained refrigeration system are automatically covered for an **additional four (4) years parts replacement for the motor compressor.** (See pages 1 and 2 under General Information)

SANITATION APPROVALS:

All Arctica showcases are **ETL sanitation listed to NSF standards 2, 4 and 7.**



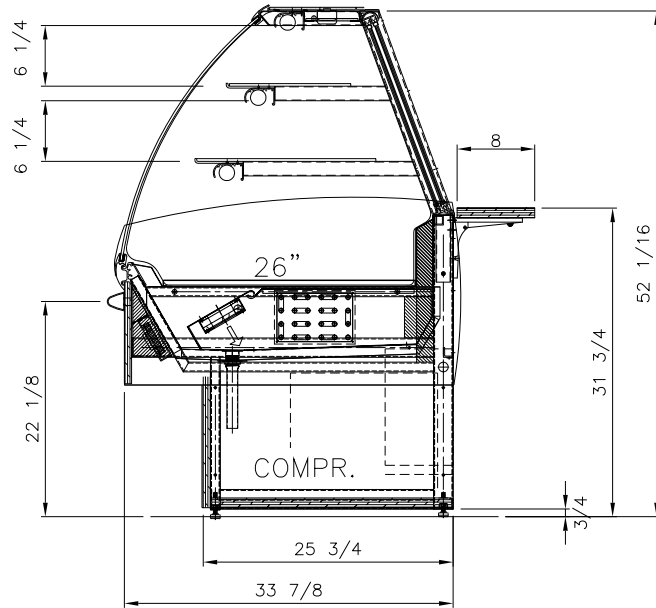
STANDARD SPECIFICATIONS & FINISHES



RST-REFRIGERATED STANDARD
STANDARD GLASS-DS

OTHER AVAILABLE GLASS SHAPES

RST—REFRIGERATED
STANDARD
LENS GLASS—LG
(OPTIONAL)
NON—GLARE—NG



RH3—REFRIGERATED
HIGH VOLUME
FLAT GLASS—FG

