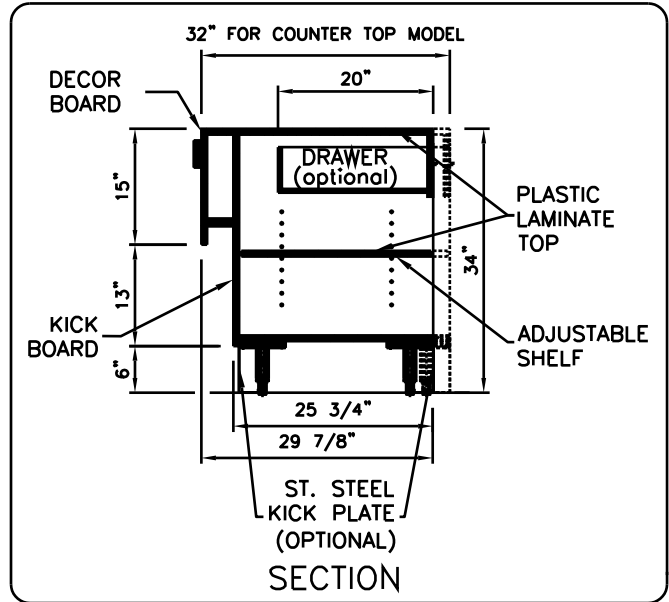
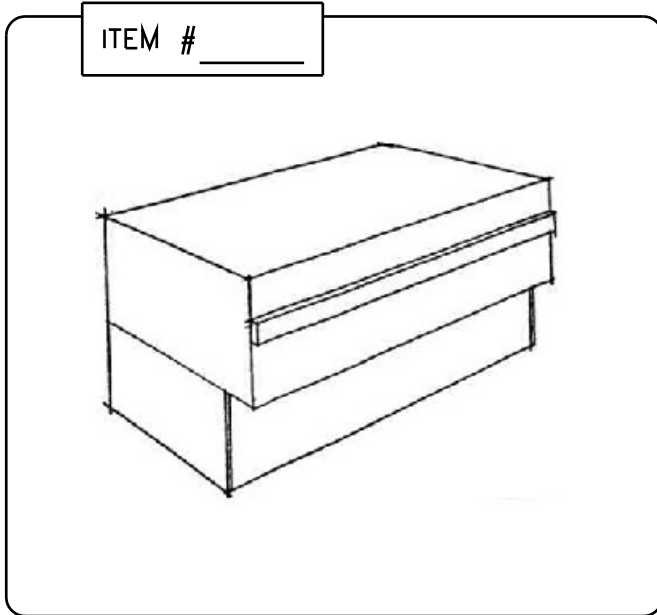




The Diamond Buffet Series

CNT-CASH COUNTER



SPECS: 3/4" Plywood counter matching the adjacent showcase(s) with plastic laminate finishing. Counter is supported by sanitary legs.

FINISHES

Standard
Optional

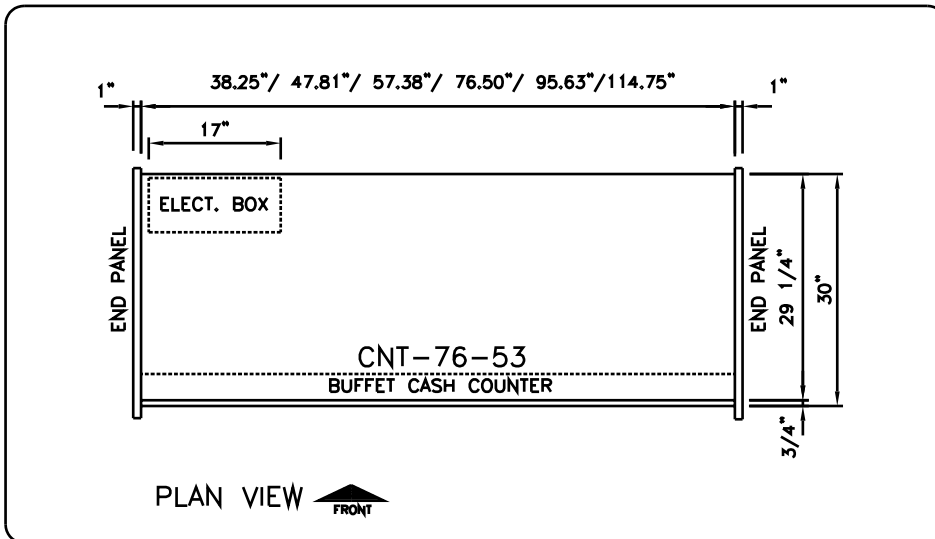
ENDS/DECOR BD/KICKBD

- Pl. Laminate on Plywood
- Maple, Cherry, Oak Veneer
- Stainless Steel

TOP

- Plastic Laminate
- Maple, Cherry, Oak Veneer
- Stainless Steel
- Solid Surfacing*

*Solid surfacing is 1/2" material from Corian, Surell, or Avonite. Ask Factory for availability.



MODEL	LENGTH in mm	
<input type="checkbox"/> CNT-38-34	38.25" 972	
<input type="checkbox"/> CNT-48-34	47.81" 1214	
<input type="checkbox"/> CNT-57-34	57.38" 1457	
<input type="checkbox"/> CNT-76-34	76.50" 1943	
<input type="checkbox"/> CNT-96-34	95.63" 2429	
<input type="checkbox"/> CNT-115-34	114.75" 2915	