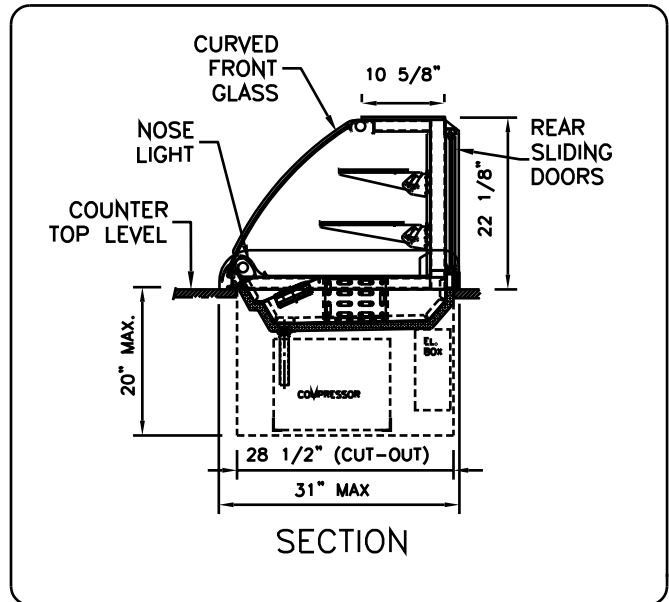
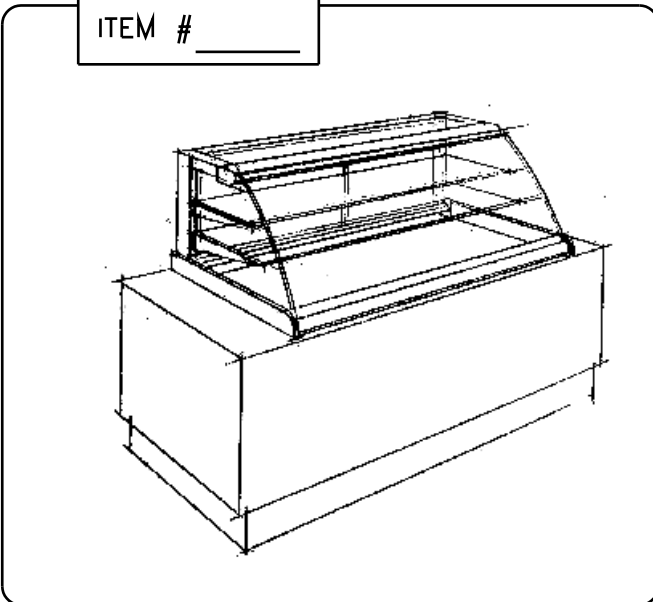




The Diamond Buffet Series

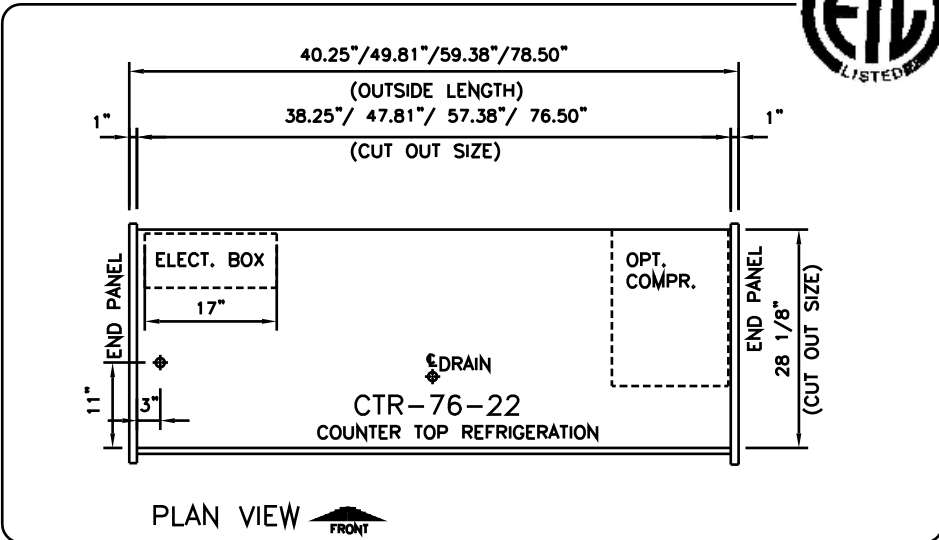
CTR-COUNTER TOP REFRIGERATED

ITEM # _____



SPECS: Aluminum upper structure, epoxy painted; series 300 stainless steel interior; anodized aluminum trim; .25 tempered front & end glass; tilt-out front glass STD.; lights w/ spectrum sleeves; 3/4" plywood finished millwork; self-contained (R134a) w/ hot gas evaporator or remote. ETL sanitation listed to NSF 7.

- | | | |
|------------------------------|--------------------------|----------|
| <u>EUROPEAN CURVED GLASS</u> | Standard | Optional |
| Tilt-Out Front Glass | <input type="checkbox"/> | |
| <u>UPPER STRUCTURE</u> | | |
| Epoxy Paint - White | <input type="checkbox"/> | |
| Epoxy Paint - Black | <input type="checkbox"/> | |
| Epoxy Paint - other colors | <input type="checkbox"/> | |
| <u>ALUMINUM TRIM</u> | | |
| Chrome Anodized | <input type="checkbox"/> | |
| Brass Anodized | <input type="checkbox"/> | |
| Epoxy paint colors | <input type="checkbox"/> | |
| <u>END/DIVIDER GLASS</u> | | |
| 1/4" Tempered | <input type="checkbox"/> | |
| 1/4" Temp.-Mirror Film | <input type="checkbox"/> | |
| <u>SLIDING DOORS</u> | | |
| Clear Plexi | <input type="checkbox"/> | |
| Plexi w/ Mirror Film | <input type="checkbox"/> | |



MODEL	LENGTH in mm	VOLTAGE	AMPS REMOTE <input type="checkbox"/>	AMPS SELF-CONT. <input type="checkbox"/>
<input type="checkbox"/> CTR-38-22	38.25" 972	115v/1/60	3.1	13.1
<input type="checkbox"/> CTR-48-22	47.81" 1214	115v/1/60	3.1	15.1
<input type="checkbox"/> CTR-57-22	57.38" 1457	115v/1/60	3.3	15.3
<input type="checkbox"/> CTR-76-22	76.50" 1943	115v/1/60	6.2	18.2

Z:\Documents and Settings\All Users\Documents\cat203\buffet.dwg 18-CTR.dwg, 7/15/2003 9:27:55 AM, Jayne Hurley