



THE DIAMOND BUFFET SERIES SPECIFICATIONS

The new **DIAMOND BUFFET** series is Arctica's showcase line for the food service industry and is available in up to six standard lengths and 53" height.

45 and 90 degree inside and outside are available upon request only!

>>>>NEW!!!

Counter Top Models & Sneeze Guards!

<<<<NEW!!!

CONSTRUCTION:

Sturdy, indestructible welded aluminum construction.

INTERIOR FINISH:

All metal parts in the refrigeration compartment (or hot cases) are made of 300 series stainless steel. Air ducts and inlays are made of mirror finished stainless steel.

REFRIGERATION SYSTEM:

The display area is refrigerated on all levels (shelves) between 34 and 40F based on max. 80F ambient temperature. Slow moving fans and an oversized evaporator coil with 5000 square inches of cooling surface per foot guarantee gentle cooling with up to 75% humidity. For higher humidity levels refer to **Arctica's humidification system**.

SELF-CONTAINED REFRIGERATION: (optional)

All Arctica cases are available for self-contained applications. The refrigeration system is based on CFC free R134a and has a built-in hot gas evaporator (no drains necessary). Compressors up to 1/2 HP are wired directly to Arctica's electrical control box (115V); 3/4 HP compressors require a separate circuit (220/208) to the main panel.

HUMIDIFICATION SYSTEM: (optional)

Arctica's unique self-cleaning ultra-sonic humidification system is the first nearly maintenance free humidifier on the market. With up to 90% humidity it provides the ultimate in product freshness, reducing dry-out losses significantly and extending product shelf life by more than 50%.

NOTE: An Arctica water treatment system for the supply line is recommended; in hard water conditions its mandatory. **Do not sell a humidifier without floor drain!**

DEFOGGING SYSTEM: (standard)

All refrigerated cases are automatically fitted with a defogging system. The defogging system will keep the front and top glass clear of moisture if store conditions don't exceed 75F and 55% relative humidity.

COLOR CORRECTED LIGHTS: (standard)

All Arctica cases are standard equipped with lights on each shelf. All lights are protected with SPECTRUM sleeves to enhance the natural look of the product on display. The SPECTRUM sleeve provides a true color rendition, glare reduction and UV protection and works with a standard cool white fluorescent light.

EXTERIOR FINISHING:

All exterior components (work shelves, decor boards, kick boards, end panels) are made of first grade plywood for maximum durability, covered with your choice of materials. (see option list for details)



DIAMOND BUFFET SPECIFICATIONS & FINISHES

LENGTH & HEIGHT: (mm in brackets)

- 38.25" (972), 47.81" (1214), 57.38" (1457), 76.50" (1943), 95.63" (2429), 114.75" (2915)
- Add 1" (25) for each end panel.
- Case height 53" (1346)
- **CORNER CASES are only available upon requests.**

CURVED FRONT GLASS: (standard)

- Tempered .25" curved glass, standard tilt-out (tilt forward) – **No lift-up available!**

SHELF & SIDE GLASS: Tempered glass, .25", end glass mirror film optional.

SLIDING DOORS: 3/8" clear plexi glass in aluminum frame, mirror film optional.

UPPER STRUCTURE / STRUT ASSEMBLY:

- White or black epoxy powder coated standard. Other colors optional.

LIGHT CANOPIES / GLASS CLAMPS:

- Brass or chrome polished anodized aluminum standard. Epoxy paint optional.

DECOR & KICK BOARDS, END PANELS & WORK SHELVES:

- Plywood, choice of 8 standard plastic laminates (see Color Chart)
- Other plastic laminates and hardwood veneers optional (see option list).
- Fold down work shelf surfaces also available in Sani board (white) or Stainless steel.
- Lower kick board (6") stainless steel, front and back, optional.

AIRDUCTS / INLAYS: Mirror finished stainless steel standard. Epoxy paint optional.

FLUORESCENT LAMPS:

- T8 cool white with SPECTRUM color correcting and UV protecting security sleeve.

TRAY RAIL : (optional)

- Plastic laminate surface standard with black or white brackets. White Surell optional.
- Brushed stainless steel rods optional incl. matching brackets.

SANITATION APPROVALS:

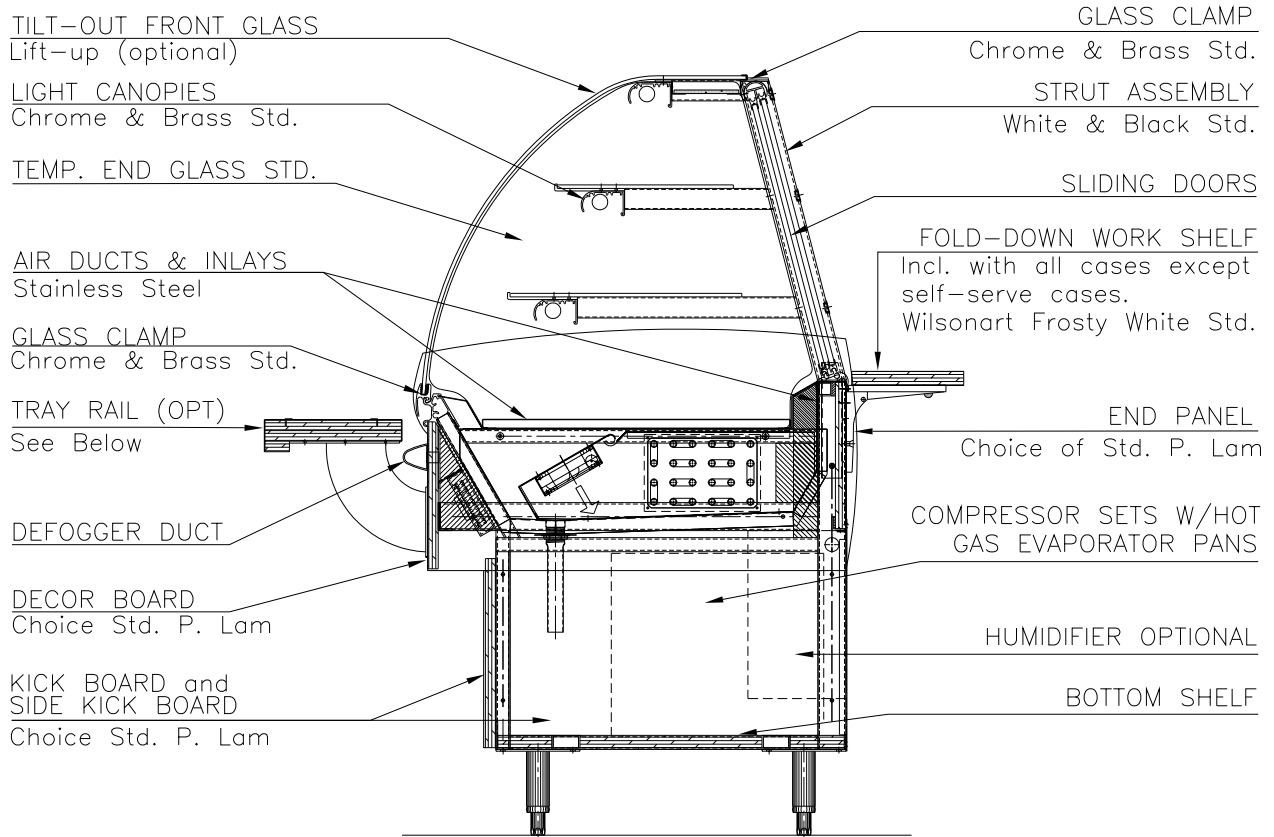
All Arctica showcases are **ETL sanitation listed to NSF standards 2, 4 and 7.**

WARRANTY:

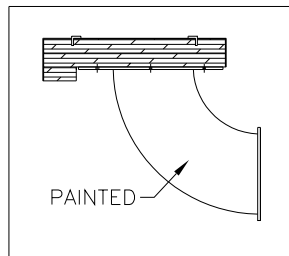
- All Arctica products are covered by a **ONE YEAR PARTS & LABOR** warranty.
- Refrigerated cases ordered with self-contained refrigeration system are automatically covered for an **additional four (4) years parts replacement for the motor compressor.** (For more information see pages 1 and 2 under General Information.)



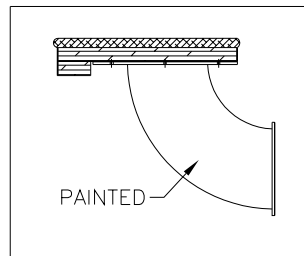
STANDARD SPECIFICATIONS & FINISHES



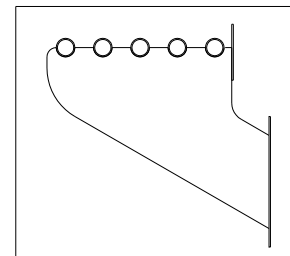
BRS-BUFFET REFRIGERATED STANDARD STANDARD GLASS-DL



PLASTIC LAMINATE



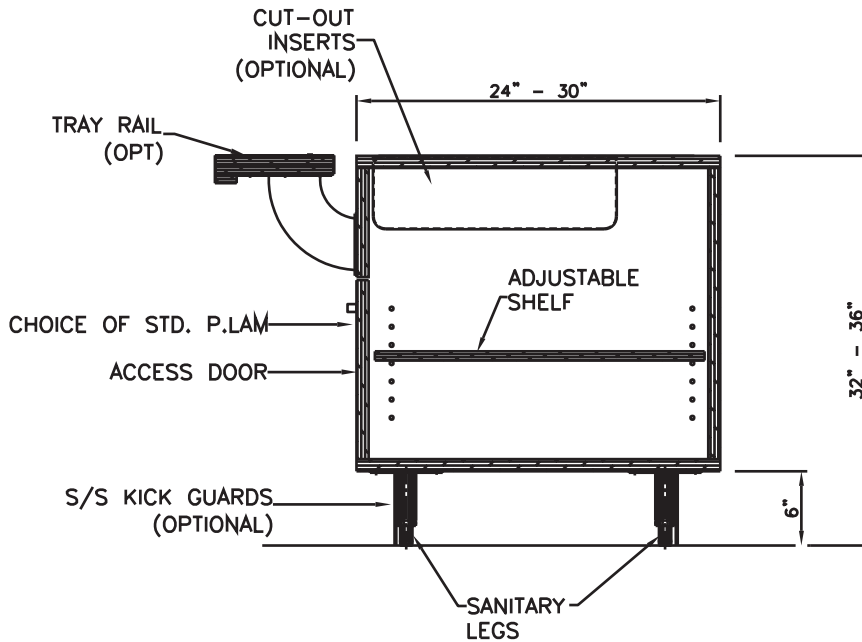
SOLID SURFACING



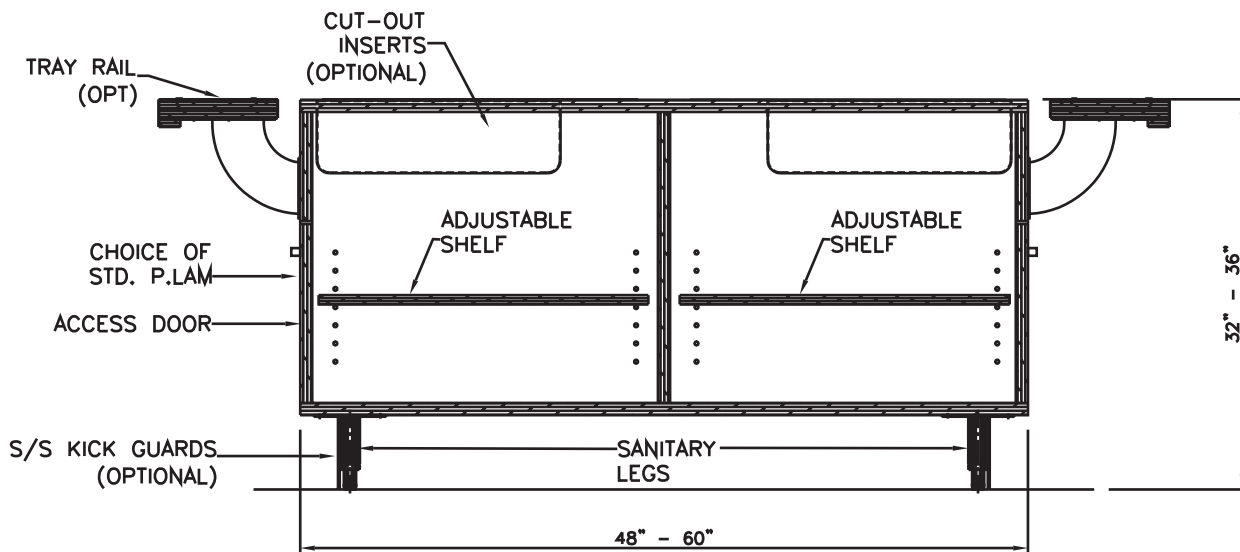
STAINLESS STEEL RODS

TRAY RAILS (OPTIONAL)

STANDARD SPECIFICATIONS & FINISHES



SBC - SALAD BAR COUNTERS, SINGLE



SBC - SALAD BAR COUNTERS, DOUBLE