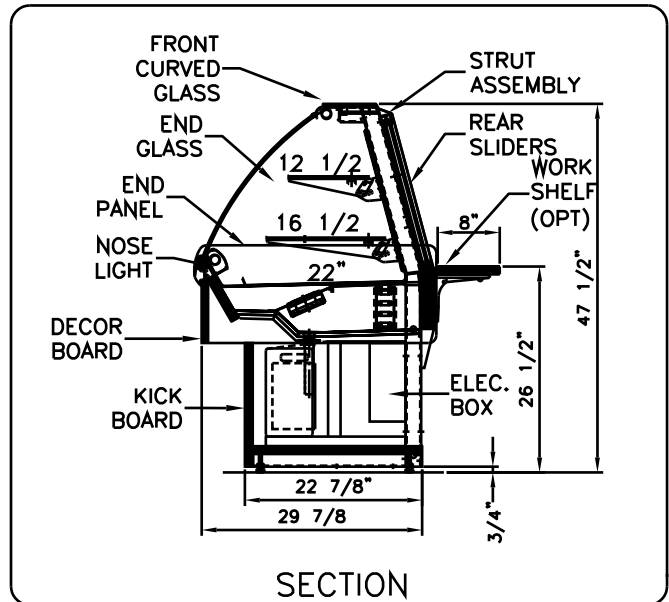
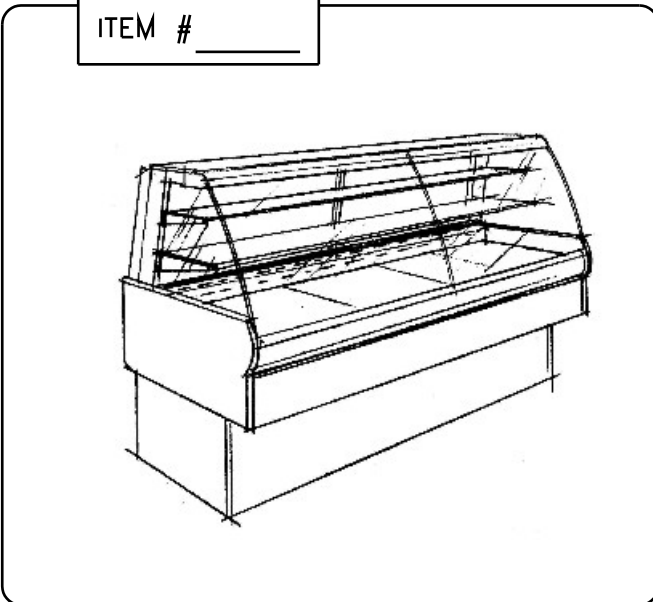




# The Ekomax Series

## CCR-CHOCOLATE CASE REFRIGERATED

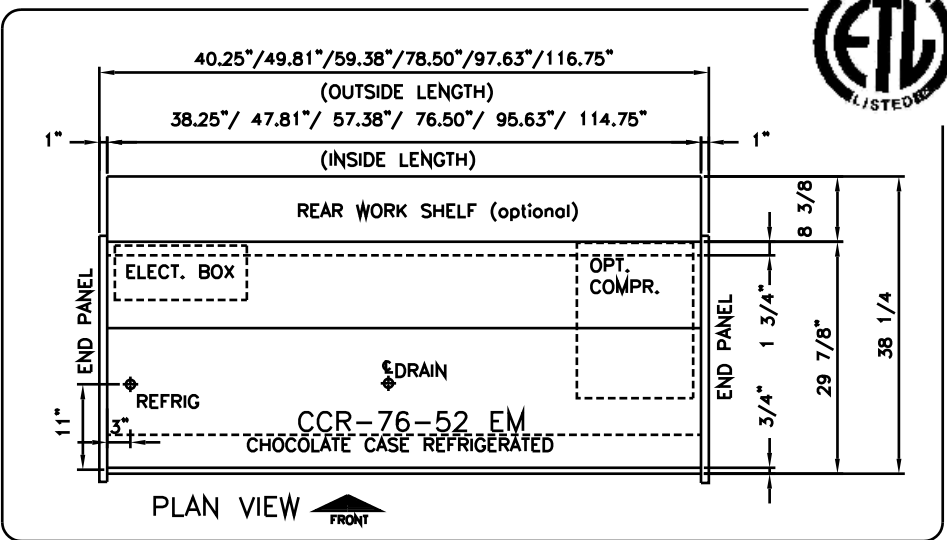
ITEM # \_\_\_\_\_



SECTION

SPECS: Aluminum frame and strut, epoxy painted; leveling legs; anodized aluminum trim; .25 tempered shelves, end and front glass; tilt-out front glass, STD; lights w/ spectrum sleeves; 3/4" plywood finish millwork; self-contained (R134a) w/ hot gas pan or remote. Refrigerated chocolate cases are designed to operate at 55°F with low humidity. If cooling at 36°-40°F is required ask FACTORY!  
ETL sanitation listed to NSF 7.

- |                                   |                          |          |
|-----------------------------------|--------------------------|----------|
| <u>EUROPEAN CURVED GLASS</u>      | Standard                 | Optional |
| Tilt-Out Front Glass              | <input type="checkbox"/> |          |
| Lift-up Front Glass               | <input type="checkbox"/> |          |
| <u>INTERIOR/UPPER STRUCTURE</u>   |                          |          |
| Epoxy Point -White                | <input type="checkbox"/> |          |
| Epoxy Point -Black                | <input type="checkbox"/> |          |
| Epoxy Point - other colors        | <input type="checkbox"/> |          |
| Stainless Steel (int. only)       | <input type="checkbox"/> |          |
| <u>ALUMINUM TRIM</u>              |                          |          |
| Chrome Anodized                   | <input type="checkbox"/> |          |
| Brass Anodized                    | <input type="checkbox"/> |          |
| Epoxy paint colors                | <input type="checkbox"/> |          |
| <u>SHELVES</u>                    |                          |          |
| 1/4" Tempered Glass               | <input type="checkbox"/> |          |
| Brass/Chrome Wire                 | <input type="checkbox"/> |          |
| Additional Light                  | <input type="checkbox"/> |          |
| <u>END/DIVIDER GLASS</u>          |                          |          |
| 1/4" Tempered                     | <input type="checkbox"/> |          |
| 1/4" Temp.-Mirror Film            | <input type="checkbox"/> |          |
| <u>SLIDING DOORS</u>              |                          |          |
| Clear Plexi                       | <input type="checkbox"/> |          |
| Plexi w/ Mirror Film              | <input type="checkbox"/> |          |
| <u>END PANELS/DECOR BD/KICKBD</u> |                          |          |
| Pl.Laminate on Plywood            | <input type="checkbox"/> |          |
| Maple,Cherry,Oak Veneer           | <input type="checkbox"/> |          |
| Stainless Steel                   | <input type="checkbox"/> |          |
| <u>FOLD-DOWN REAR WORK SHELF</u>  |                          |          |
| Wilsonart Fr. White               | <input type="checkbox"/> |          |
| Saniboard                         | <input type="checkbox"/> |          |
| Stainless Steel                   | <input type="checkbox"/> |          |



MODEL	LENGTH in mm	VOLTAGE	AMPS REMOTE <input type="checkbox"/>	AMPS SELF-CONT. <input type="checkbox"/>
<input type="checkbox"/> CCR-38-48 EM	38.25" 972	115V/1/60	3.6	11.2
<input type="checkbox"/> CCR-48-48 EM	47.81" 1214	115V/1/60	3.6	11.2
<input type="checkbox"/> CCR-57-48 EM	57.38" 1457	115V/1/60	3.8	13.8
<input type="checkbox"/> CCR-76-48 EM	76.50" 1943	115V/1/60	6.7	18.7
<input type="checkbox"/> CCR-96-48 EM	95.63" 2429	115V/1/60	6.7	18.7
<input type="checkbox"/> CCR-115-48EM	114.75" 2915	115V/1/60	7.1	18.7

Z:\Documents and Settings\All Users\Documents\cat2003\EKOMAX.dwg(32-CCR.dwg, 7/8/2003 11:11:23 AM, Jayne Hurley