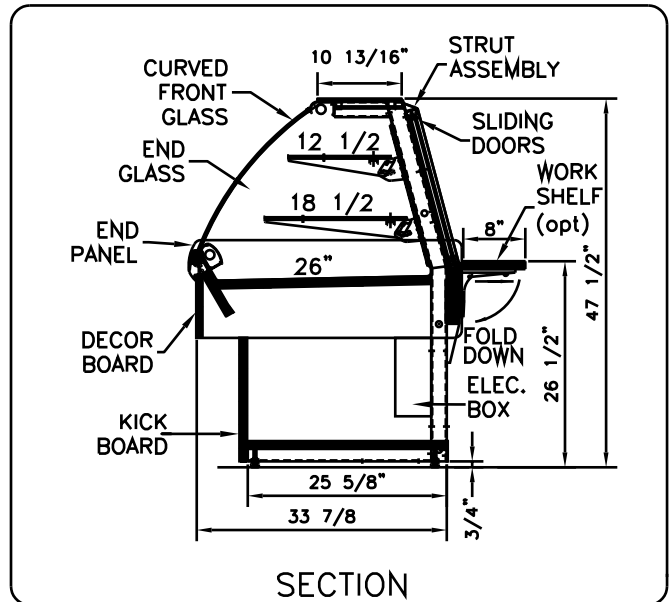
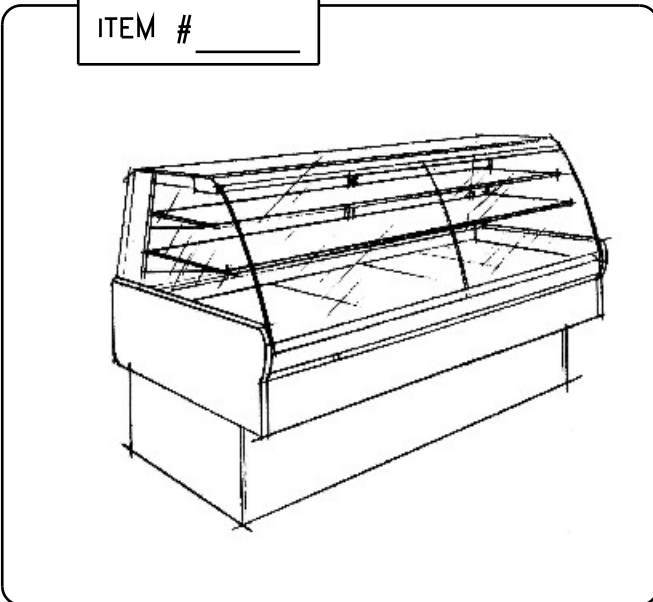




The Ekomax Series

DST-DRY STANDARD

ITEM # _____



SPECS: Aluminum frame and strut, epoxy painted; leveling legs; anodized aluminum trim; .25 tempered shelves, end and front curved glass; tilt-out front glass STD.; lights w/ spectrum sleeves; 3/4" plywood finish millwork. ETL Sanitation listed to NSF Standards 2.

- | | | |
|------------------------------|--------------------------|----------|
| EUROPEAN CURVED GLASS | Standard | Optional |
| Tilt-Out Front Glass | <input type="checkbox"/> | |
| Lift-Up Front Glass | <input type="checkbox"/> | |

- | | |
|---------------------------------|--------------------------|
| INTERIOR/UPPER STRUCTURE | |
| Epoxy Paint - White | <input type="checkbox"/> |
| Epoxy Paint - Black | <input type="checkbox"/> |
| Epoxy Paint - other colors | <input type="checkbox"/> |
| Stainless Steel (int. only) | <input type="checkbox"/> |

- | | |
|----------------------|--------------------------|
| ALUMINUM TRIM | |
| Chrome Anodized | <input type="checkbox"/> |
| Brass Anodized | <input type="checkbox"/> |
| Epoxy paint colors | <input type="checkbox"/> |

- | | |
|---------------------|--------------------------|
| SHELVES | |
| 1/4" Tempered Glass | <input type="checkbox"/> |
| Brass/Chrome Wire | <input type="checkbox"/> |
| Additional Light | <input type="checkbox"/> |

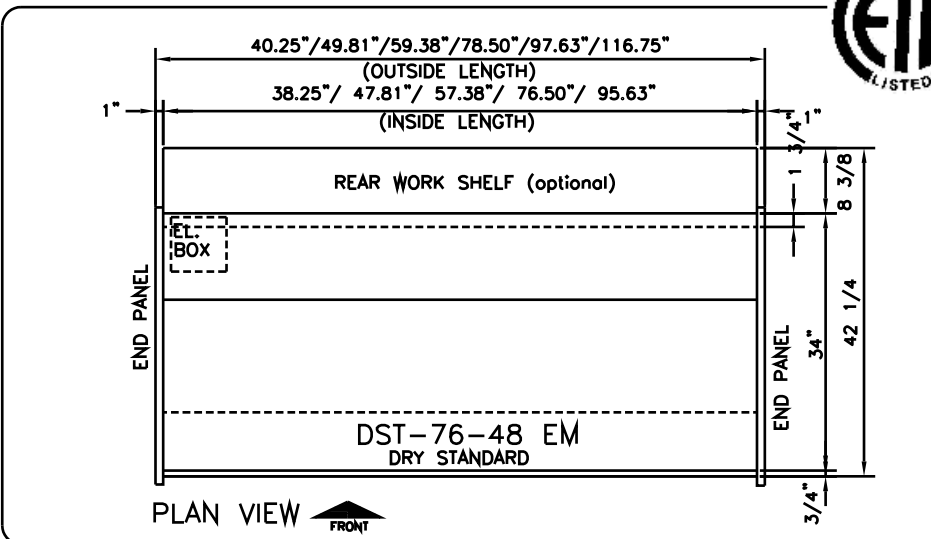
- | | |
|--------------------------|--------------------------|
| END/DIVIDER GLASS | |
| 1/4" Tempered | <input type="checkbox"/> |
| 1/4" Temp.-Mirror Film | <input type="checkbox"/> |

- | | |
|----------------------|--------------------------|
| SLIDING DOORS | |
| Clear Plexi | <input type="checkbox"/> |
| Plexi w/ Mirror Film | <input type="checkbox"/> |

- | | |
|-----------------------------------|--------------------------|
| END PANELS/DECOR BD/KICKBD | |
| Pl.Laminate on Plywood | <input type="checkbox"/> |
| Maple,Cherry,Oak Veneer | <input type="checkbox"/> |
| Stainless Steel | <input type="checkbox"/> |

- | | |
|----------------------------------|--------------------------|
| FOLD-DOWN REAR WORK SHELF | |
| Wilsonart Fr. White | <input type="checkbox"/> |
| Saniboard | <input type="checkbox"/> |
| Stainless Steel | <input type="checkbox"/> |

- | | |
|--------------------|--------------------------|
| EQUIPMENT | |
| Self Service Doors | <input type="checkbox"/> |



MODEL	LENGTH in mm	VOLTAGE	AMPS REMOTE <input type="checkbox"/>
<input type="checkbox"/> DST-38-48 EM	38.25" 972	115V/1/60	3.1
<input type="checkbox"/> DST-48-48 EM	47.81" 1214	115V/1/60	3.1
<input type="checkbox"/> DST-57-48 EM	57.38" 1457	115V/1/60	3.3
<input type="checkbox"/> DST-76-48 EM	76.50" 1943	115V/1/60	6.2
<input type="checkbox"/> DST-96-48 EM	95.63" 2429	115V/1/60	6.2
<input type="checkbox"/> DST-115-48EM	114.75" 2915	115V/1/60	6.6