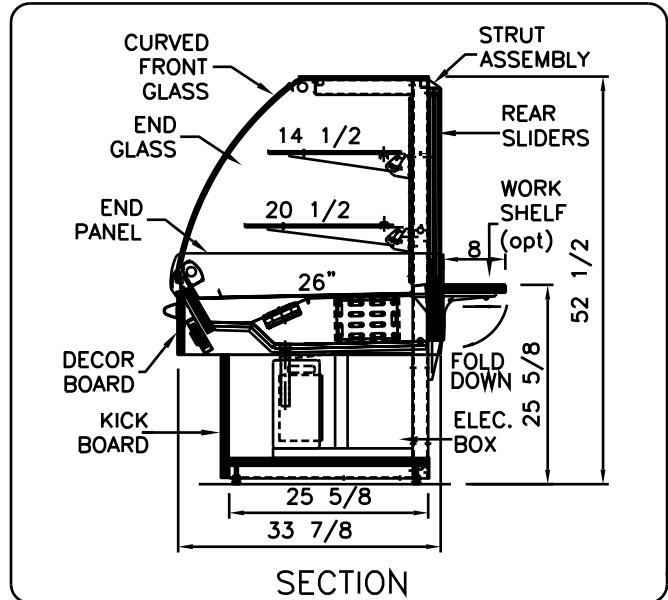
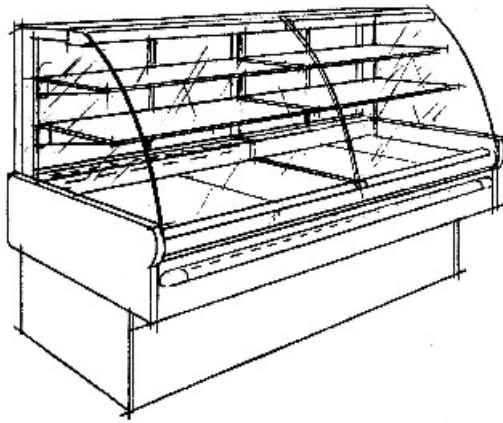




The Ekomax Series

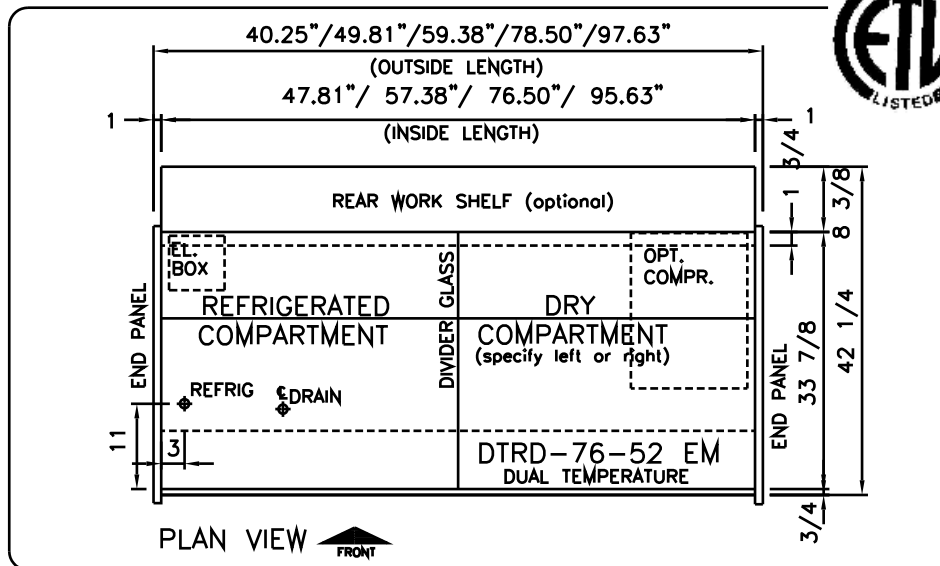
DTRD-DUAL TEMPERATURE CASE

ITEM # _____



SPECS: Aluminum frame and strut, epoxy pointed; leveling legs; anodized aluminum trim; .25 tempered shelves, end and front glass; tilt-out front glass STD.; lights w/ spectrum sleeves; 3/4" plywood finish millwork; self-contained (R134a) w/ hot gas evaporator or remote. Refrigerated cases are fitted with a defogging system that will keep the front glass clear of moisture in a controlled environment not exceeding 75°F and 55% relative humidity.
ETL sanitation listed to NSF 7 and 2.

- | | | |
|-----------------------------------|-------------------------------------|----------|
| EUROPEAN CURVED GLASS | Standard | Optional |
| Tilt-Out Front Glass | <input type="checkbox"/> | |
| Lift-Up Front Glass | <input type="checkbox"/> | |
| Non-Glare Glass | <input type="checkbox"/> | |
| INTERIOR/UPPER STRUCTURE | | |
| Epoxy Point -White | <input type="checkbox"/> | |
| Epoxy Point -Black | <input type="checkbox"/> | |
| Epoxy Point - other colors | <input type="checkbox"/> | |
| Stainless Steel (int. only) | <input type="checkbox"/> | |
| ALUMINUM TRIM | | |
| Chrome Anodized | <input type="checkbox"/> | |
| Brass Anodized | <input type="checkbox"/> | |
| Epoxy paint colors | <input type="checkbox"/> | |
| SHELVES | | |
| 1/4" Tempered Glass | <input type="checkbox"/> | |
| Brass/Chrome Wire | <input type="checkbox"/> | |
| Additional Light | <input type="checkbox"/> | |
| END/DIVIDER GLASS | | |
| 1/4" Tempered | <input type="checkbox"/> | |
| 1/4" Temp.-Mirror Film | <input type="checkbox"/> | |
| SLIDING DOORS | | |
| Clear Plexi | <input type="checkbox"/> | |
| Plexi w/ Mirror Film | <input type="checkbox"/> | |
| END PANELS/DECOR BD/KICKBD | | |
| Pl.Laminate on Plywood | <input type="checkbox"/> | |
| Maple,Cherry,Oak Veneer | <input type="checkbox"/> | |
| Stainless Steel | <input type="checkbox"/> | |
| FOLD-DOWN REAR WORK SHELF | | |
| Wilsonart Fr. White | <input type="checkbox"/> | |
| Saniboard | <input type="checkbox"/> | |
| Stainless Steel | <input type="checkbox"/> | |
| EQUIPMENT | | |
| Defogging System | <input checked="" type="checkbox"/> | |
| Self Service Doors | <input type="checkbox"/> | |
| Humidifier | <input type="checkbox"/> | |



MODEL	LENGTH in mm	VOLTAGE	AMPS REMOTE <input type="checkbox"/>	AMPS SELF-CONT. <input type="checkbox"/>
<input type="checkbox"/> DTRD-48-52 EM	47.81" 1214	115V/1/60	3.5	13.5
<input type="checkbox"/> DTRD-57-52 EM	57.38" 1457	115V/1/60	4.0	14.0
<input type="checkbox"/> DTRD-76-52 EM	76.50" 1943	115V/1/60	4.3	16.3
<input type="checkbox"/> DTRD-96-52 EM	95.63" 2429	115V/1/60	5.5	17.5