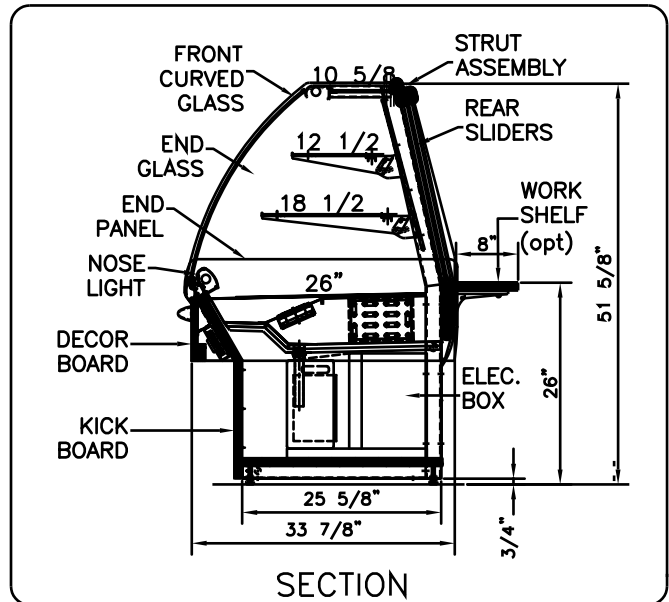
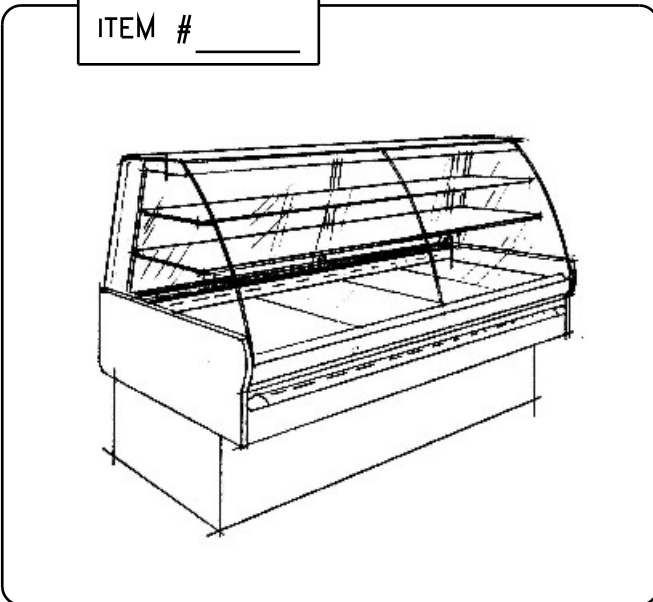




The Ekomax Series

RST-REFRIGERATED STANDARD

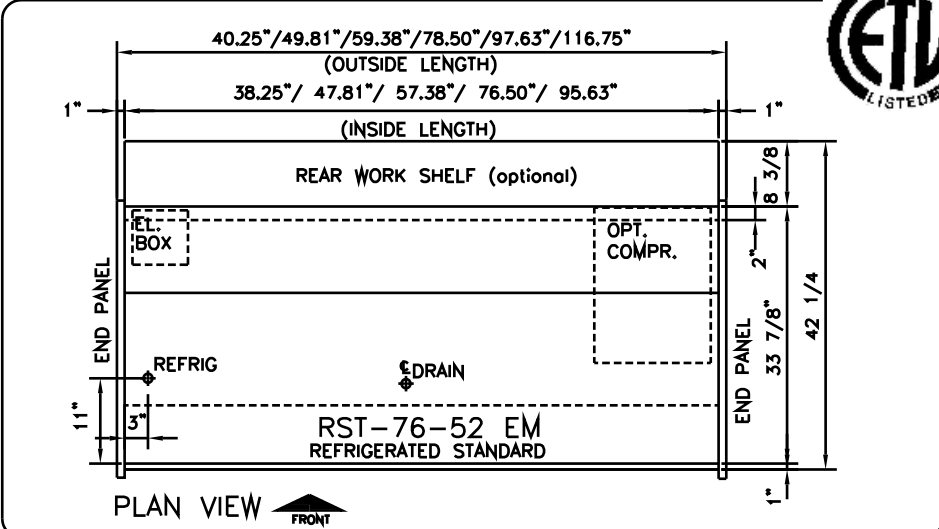
ITEM # _____



SECTION

SPECS: Aluminum frame and strut, epoxy painted; leveling legs; anodized aluminum trim; .25 tempered shelves, end and front curved glass; tilt-out front glass STD.; lights w/ spectrum sleeves; 3/4" plywood finish millwork; self-contained (R134a) w/ hot gas evaporator or remote; refrigerated cases are fitted with a defogging system that will keep the front glass clear of moisture in a controlled environment not exceeding 75°F and 55% relative humidity.
ETL sanitation listed to NSF 7.

- | | | |
|-----------------------------------|-------------------------------------|----------|
| | Standard | Optional |
| EUROPEAN CURVED GLASS | | |
| Tilt-Out Front Glass | <input type="checkbox"/> | |
| Lift-Up Front Glass | <input type="checkbox"/> | |
| Non-Glare Glass | <input type="checkbox"/> | |
| INTERIOR/UPPER STRUCTURE | | |
| Epoxy Paint - White | <input type="checkbox"/> | |
| Epoxy Paint - Black | <input type="checkbox"/> | |
| Epoxy Paint - other colors | <input type="checkbox"/> | |
| Stainless Steel (int. only) | <input type="checkbox"/> | |
| ALUMINUM TRIM | | |
| Chrome Anodized | <input type="checkbox"/> | |
| Brass Anodized | <input type="checkbox"/> | |
| Epoxy paint colors | <input type="checkbox"/> | |
| SHELVES | | |
| 1/4" Tempered Glass | <input type="checkbox"/> | |
| Brass/Chrome Wire | <input type="checkbox"/> | |
| Additional Light | <input type="checkbox"/> | |
| END/DIVIDER GLASS | | |
| 1/4" Tempered | <input type="checkbox"/> | |
| 1/4" Temp.-Mirror Film | <input type="checkbox"/> | |
| SLIDING DOORS | | |
| Clear Plexi | <input type="checkbox"/> | |
| Plexi w/ Mirror Film | <input type="checkbox"/> | |
| END PANELS/DECOR BD/KICKBD | | |
| Pl.Laminate on Plywood | <input type="checkbox"/> | |
| Maple,Cherry,Oak Veneer | <input type="checkbox"/> | |
| Stainless Steel | <input type="checkbox"/> | |
| FOLD-DOWN REAR WORK SHELF | | |
| Wilsonart Fr. White | <input type="checkbox"/> | |
| Saniboard | <input type="checkbox"/> | |
| Stainless Steel | <input type="checkbox"/> | |
| EQUIPMENT | | |
| Defogging System | <input checked="" type="checkbox"/> | |
| Self Service Doors | <input type="checkbox"/> | |
| Humidifier | <input type="checkbox"/> | |



MODEL	LENGTH in mm	VOLTAGE	AMPS REMOTE <input type="checkbox"/>	AMPS SELF-CONT. <input type="checkbox"/>
<input type="checkbox"/> RST-38-52 EM	38.25" 972	115V/1/60	3.1	13.1
<input type="checkbox"/> RST-48-52 EM	47.81" 1214	115V/1/60	3.1	15.1
<input type="checkbox"/> RST-57-52 EM	57.38" 1457	115V/1/60	3.3	15.3
<input type="checkbox"/> RST-76-52 EM	76.50" 1943	115V/1/60 230V/1/60	6.2	6.7 8.7
<input type="checkbox"/> RST-96-52 EM	95.63" 2429	115V/1/60 230V/1/60	6.2	6.7 8.7
<input type="checkbox"/> RST-115-52EM	114.75" 2915	115V/1/60 230V/1/60	6.6	7.1 8.7

Z:\Documents and Settings\All Users\Documents\cat2003\EKOMAX.dwg 17-RST.dwg, 7/8/2003 10:11:08 AM, Jayne Hurley