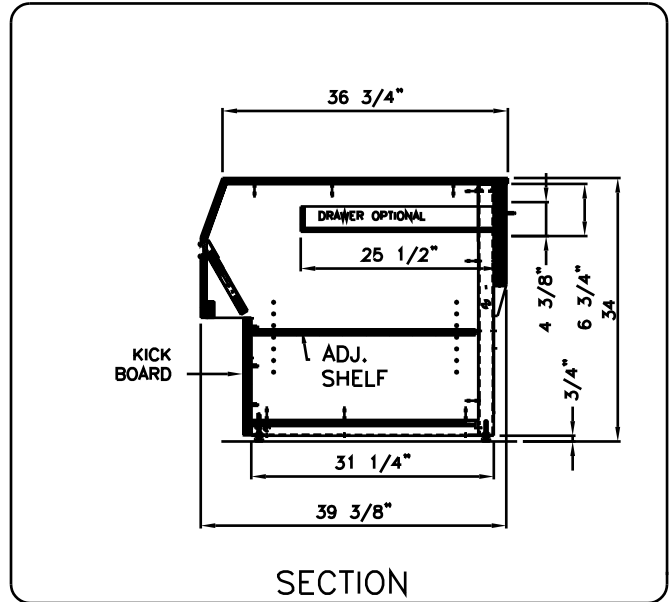
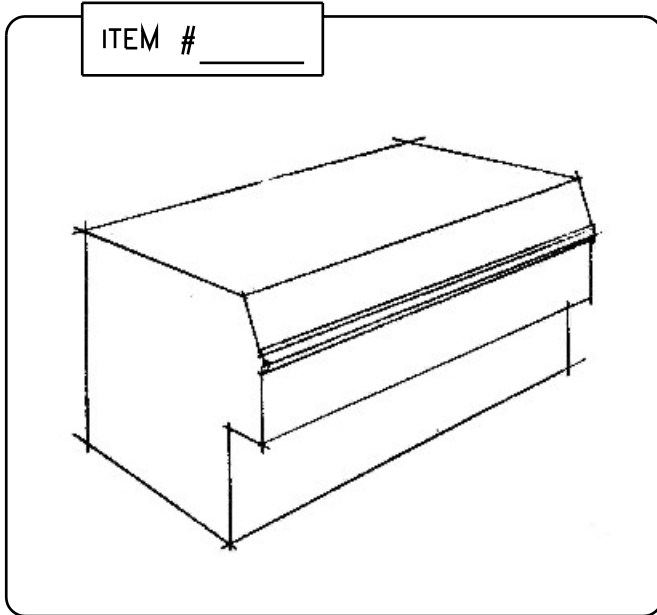


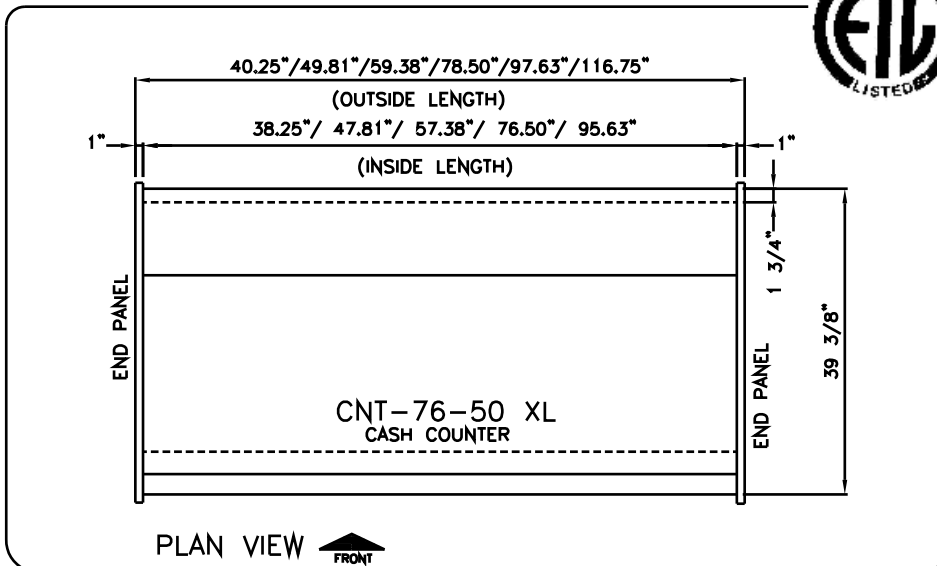


The Ekomax XL/XF Series

CNT-CASH COUNTER DETAILS



SPECS: 3/4" plywood counter matching the adjacent showcase(s) with plastic laminate finishing.



FINISHING

END PANELS/DECOR BD/KICKBD

- Pl.Laminate on Plywood
- Maple,Cherry,Oak Veneer
- Stainless Steel

TOP

- Plastic Laminate
- Maple,Cherry,Oak Veneer
- Stainless Steel
- Solid Surfacing*

DRAWER (OPTIONAL)

- Plastic Laminate
- Maple,Cherry,Oak Veneer
- Stainless Steel
- Solid Surfacing*

*Solid surfacing is 1/2" material from Corian, Surell, or Ayonite. Ask Factory for availability.

MODEL	LENGTH in mm			
<input type="checkbox"/> CNT-38-34 XL	38.25" 972			
<input type="checkbox"/> CNT-48-34 XL	47.81" 1214			
<input type="checkbox"/> CNT-57-34 XL	57.38" 1457			
<input type="checkbox"/> CNT-76-34 XL	76.50" 1943			
<input type="checkbox"/> CNT-96-34 XL	95.63" 2429			
<input type="checkbox"/> CNT-115-34XL	114.75" 2915			