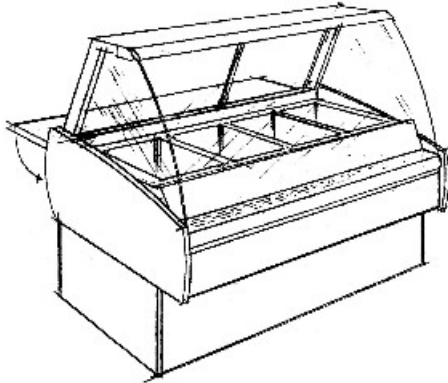




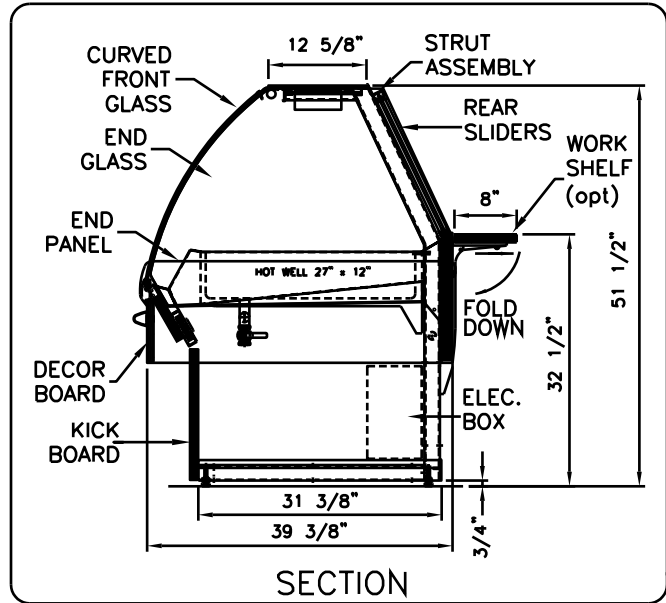
The Ekomax XL Series

HDE-HOT DELI CASE

ITEM # _____

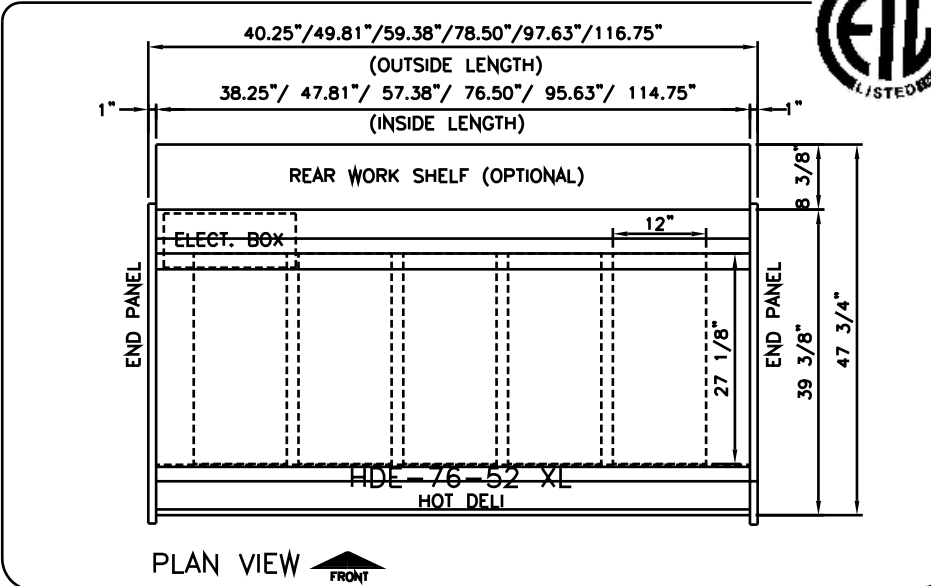


*If Hot Deli cases are placed adjacent to refrigerated or dry cases, two divider glasses and one end panel must be specified between those cases to reduce condensation.



SPECS: Aluminum frame and strut, epoxy painted; leveling legs; anodized aluminum trim; .25 tempered end and front curved glass; tilt-out front glass STD.; lights w/ spectrum sleeves; 3/4" plywood finish millwork; self-contained (R134a) w/hot gas evaporator or remote. ETL sanitation listed to NSF 4.

- | | | |
|-----------------------------------|-------------------------------------|----------|
| EUROPEAN CURVED GLASS | Standard | Optional |
| Tilt-Out Front Glass | <input type="checkbox"/> | |
| Lift-Up Front Glass | <input type="checkbox"/> | |
| Non-Glare Glass | <input type="checkbox"/> | |
| UPPER STRUCTURE | | |
| Epoxy Point -White | <input type="checkbox"/> | |
| Epoxy Point -Black | <input type="checkbox"/> | |
| Epoxy Point - other colors | <input type="checkbox"/> | |
| Stainless Steel (int. only) | <input type="checkbox"/> | |
| ALUMINUM TRIM | | |
| Chrome Anodized | <input type="checkbox"/> | |
| Brass Anodized | <input type="checkbox"/> | |
| Epoxy point colors | <input type="checkbox"/> | |
| END/DIVIDER GLASS | | |
| 1/4" Tempered | <input type="checkbox"/> | |
| 1/4" Temp.-Mirror Film | <input type="checkbox"/> | |
| SLIDING DOORS | | |
| Clear Plexi | <input type="checkbox"/> | |
| Plexi w/ Mirror Film | <input type="checkbox"/> | |
| END PANELS/DECOR BD/KICKBD | | |
| Pl.Laminate on Plywood | <input type="checkbox"/> | |
| Maple,Cherry,Oak Veneer | <input type="checkbox"/> | |
| Stainless Steel | <input type="checkbox"/> | |
| FOLD-DOWN REAR WORK SHELF | | |
| Wilsonart Fr. White | <input type="checkbox"/> | |
| Saniboard | <input type="checkbox"/> | |
| Stainless Steel | <input type="checkbox"/> | |
| EQUIPMENT | | |
| Inside Defogging System | <input checked="" type="checkbox"/> | |
| AutoFill System | <input type="checkbox"/> | |



MODEL	LENGTH in mm	VOLTAGE HOT WELLS	AMPS HOT WELLS	VOLTAGE O.H. HEATER	AMPS O.H. HEATER
<input type="checkbox"/> HDE-38-48 XL	38.25" 972	230v/1/60	10.0	115v/1/60	6.0
<input type="checkbox"/> HDE-48-48 XL	47.81" 1214	230v/1/60	15.0	115v/1/60	8.4
<input type="checkbox"/> HDE-57-48 XL	57.38" 1457	230v/1/60	20.0	115v/1/60	11.0
<input type="checkbox"/> HDE-76-48 XL	76.50" 1943	230v/1/60	25.0	115v/1/60	15.4
<input type="checkbox"/> HDE-96-48 XL	95.63" 2429	230v/1/60	30.0	115v/1/60	16.8
<input type="checkbox"/> HDE-115-48XL	114.75" 2915	230v/1/60	35.0	115v/1/60	22.0