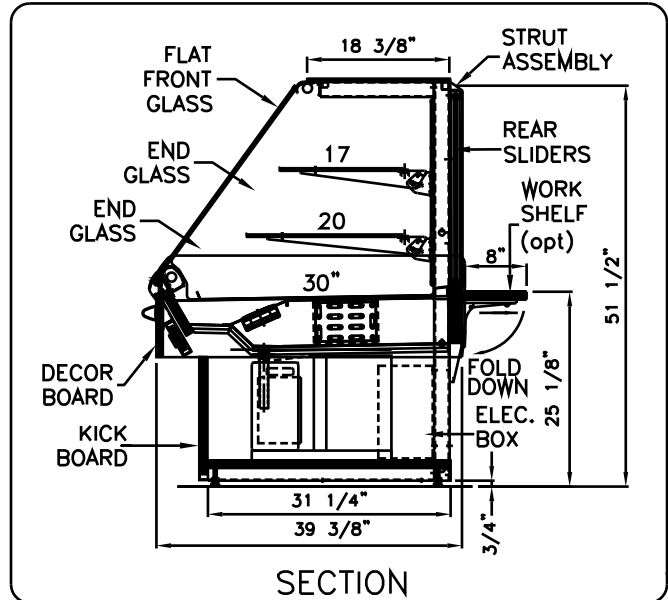
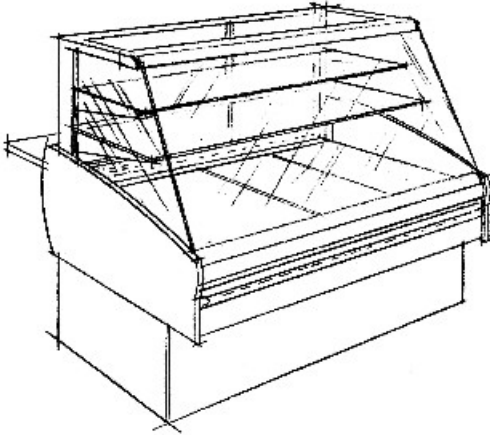




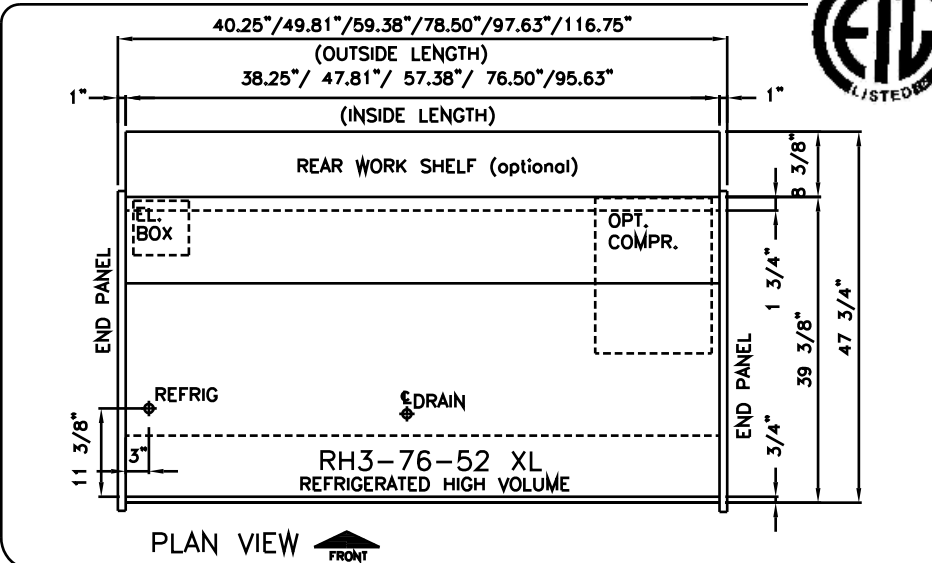
# The Ekomax XF Series

## RH3-REFRIGERATED HIGH VOLUME

ITEM # \_\_\_\_\_



SPECS: Aluminum frame and strut, epoxy painted; leveling legs; anodized aluminum trim; .25 tempered shelves, end and front flat glass; tilt-out front glass STD.; lights w/ spectrum sleeves; 3/4" plywood finish millwork; self-contained (R134a) w/ hot gas evaporator or remote. Refrigerated cases are fitted with a defogging system that will keep the front glass clear of moisture in a controlled environment not exceeding 75°F and 55% relative humidity.  
ETL sanitation listed to NSF 7.



### EUROPEAN GLASS

- Tilt-Out Front Glass
- Lift-Up Front Glass

### INTERIOR/UPPER STRUCTURE

- Epoxy Paint - White
- Epoxy Paint - Black
- Epoxy Paint - other colors
- Stainless Steel (int. only)

### ALUMINUM TRIM

- Chrome Anodized
- Brass Anodized
- Epoxy paint colors

### SHELVES

- 1/4" Tempered Glass
- Brass/Chrome Wire
- Additional Light

### END/DIVIDER GLASS

- 1/4" Tempered
- 1/4" Temp.-Mirror Film

### SLIDING DOORS

- Clear Plexi
- Plexi w/ Mirror Film

### END PANELS/DECOR BD/KICKBD

- Pl.Laminate on Plywood
- Maple,Cherry,Oak Veneer
- Stainless Steel

### FOLD-DOWN REAR WORK SHELF

- Wilsonart Fr. White
- Saniboard
- Stainless Steel

### EQUIPMENT

- Defogging System
- Self Service Doors
- Humidifier

MODEL	LENGTH in mm	VOLTAGE	AMPS REMOTE <input type="checkbox"/>	AMPS SELF-CONT. <input type="checkbox"/>
<input type="checkbox"/> RH3-38-52 XF	38.25" 972	115V/1/60	3.1	13.1
<input type="checkbox"/> RH3-48-52 XF	47.81" 1214	115V/1/60	3.1	15.1
<input type="checkbox"/> RH3-57-52 XF	57.38" 1457	115V/1/60	3.3	15.3
<input type="checkbox"/> RH3-76-52 XF	76.50" 1943	115V/1/60 230V/1/60	6.2	6.7 8.7
<input type="checkbox"/> RH3-96-52 XF	95.63" 2429	115V/1/60 230V/1/60	6.2	6.7 8.7
<input type="checkbox"/> RH3-115-52XF	114.75" 2915	115V/1/60 230V/1/60	6.2	6.7 8.7