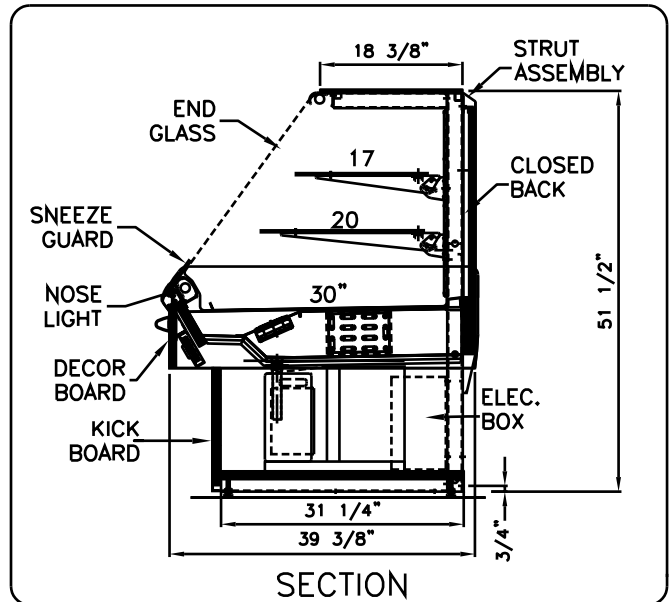
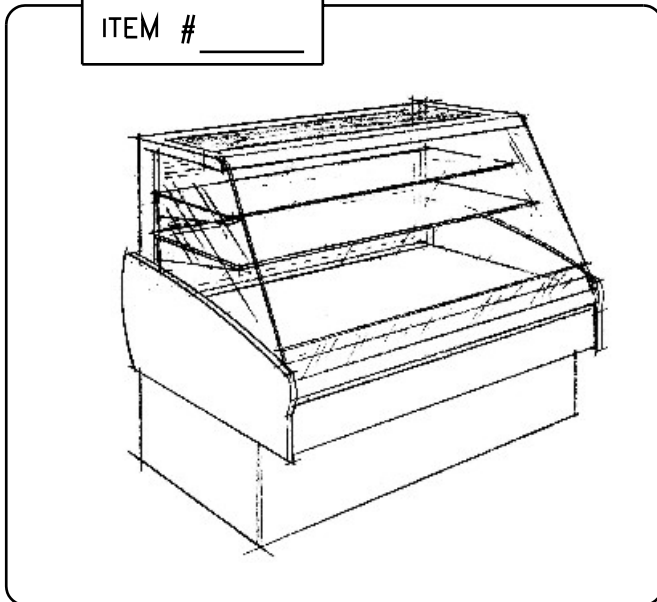




The Ekomax XF Series

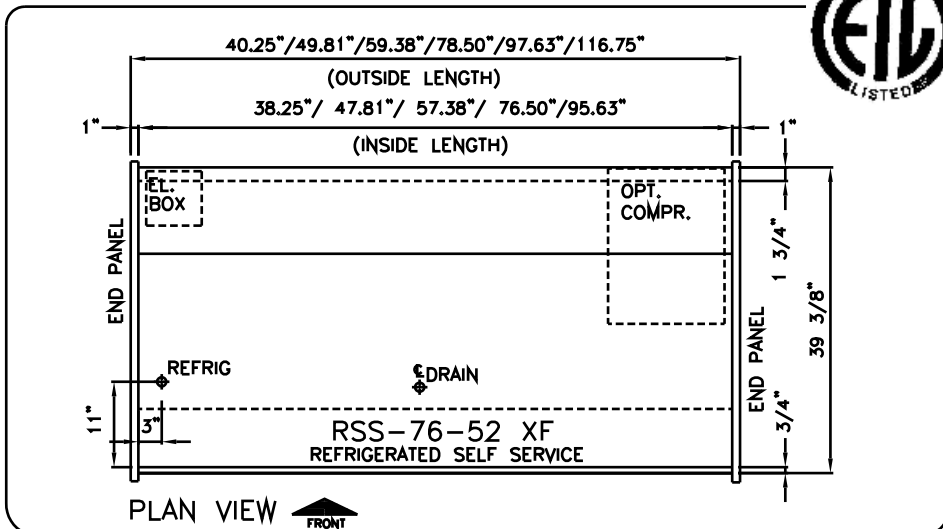
RSS-REFRIGERATED SELF SERVICE

ITEM # _____



SPECS: Aluminum frame and strut, epoxy painted; leveling legs; anodized aluminum trim; .25 tempered shelves & end glass; lights w/ spectrum sleeves; 3/4" plywood finish millwork; self-contained (R134a) w/ electric evaporator or remote. (Electric evap. pans to be wired at 12.5a) Refrigerated cases are engineered to operate in a controlled environment not exceeding 75°F and 55% relative humidity. ETL sanitation listed to NSF 7.

- | | |
|-----------------------------------|--------------------------|
| | Standard
Optional |
| ALUMINUM TRIM | |
| Chrome Anodized | <input type="checkbox"/> |
| Brass Anodized | <input type="checkbox"/> |
| Epoxy paint colors | <input type="checkbox"/> |
| INTERIOR/UPPER STRUCTURE | |
| Epoxy Paint - White | <input type="checkbox"/> |
| Epoxy Paint - Black | <input type="checkbox"/> |
| Epoxy Paint - other colors | <input type="checkbox"/> |
| Stainless Steel (int. only) | <input type="checkbox"/> |
| SHELVES | |
| 1/4" Tempered Glass | <input type="checkbox"/> |
| Brass/Chrome Wire | <input type="checkbox"/> |
| Additional Light | <input type="checkbox"/> |
| END/DIVIDER GLASS | |
| 1/4" Tempered | <input type="checkbox"/> |
| 1/4" Temp.-Mirror Film | <input type="checkbox"/> |
| END PANELS/DECOR BD/KICKBD | |
| Pl.Laminate on Plywood | <input type="checkbox"/> |
| Maple, Cherry, Oak Veneer | <input type="checkbox"/> |
| Stainless Steel | <input type="checkbox"/> |
| EQUIPMENT | |
| Energy Saving Night Cover | <input type="checkbox"/> |



MODEL	LENGTH in mm	VOLTAGE	AMPS REMOTE <input type="checkbox"/>	AMPS SELF-CONT. <input type="checkbox"/>
<input type="checkbox"/> RSS-38-52 XF	38.25" 972	115V/1/60	3.1	15.1
<input type="checkbox"/> RSS-48-52 XF	47.81" 1214	115V/1/60 230V/1/60	3.1	3.6 8.7
<input type="checkbox"/> RSS-57-52 XF	57.38" 1457	115V/1/60 230V/1/60	3.3	3.8 8.7
<input type="checkbox"/> RSS-76-52 XF	76.50" 1943	115V/1/60 230V/1/60	6.2	6.7 9.6
<input type="checkbox"/> RSS-96-52 XF	95.63" 2429	115V/1/60 230V/1/60	6.2	6.7 9.6
<input type="checkbox"/> RSS-115-52XF	114.75" 2915	115V/1/60	6.6	N/A

IMPORTANT:
ELECTRIC EVAP. PAN REQUIRES
115/1/60 15 AMP CIRCUIT.