



M33 SPECIFICATIONS & FINISHES

M33 showcases for **DELI, MEAT, SEAFOOD & HOT FOOD** available in six lengths and 49" height. **45 and 90 degree inside and outside corner cases are standard.**

(See special specifications for non-glare corner glass)

CONSTRUCTION:

Sturdy, indestructible welded aluminum construction.

INTERIOR FINISH:

All metal parts in the refrigeration compartment (or hot cases) are made of 300 series stainless steel. Air ducts and inlays are made of mirror finished stainless steel.

REFRIGERATION SYSTEM:

The display area is refrigerated between 34 and 40F based on max. 80F ambient temperature. Slow moving fans and an oversized evaporator coil with over 6000 square inches of cooling surface per foot guarantee gentle cooling with up to 75% humidity. For higher humidity levels refer to **Arctica's humidification system**.

SELF-CONTAINED REFRIGERATION: (optional)

All Arctica cases are available for self-contained applications. The refrigeration system is based on CFC free R134a and has a built-in hot gas evaporator (no drains necessary). Compressors up to 1/2 HP are wired directly to Arctica's electrical control box (115V); 3/4 HP compressors require a separate circuit (220/208) to the main panel.

HUMIDIFICATION SYSTEM: (optional)

Arctica's unique self-cleaning ultra-sonic humidification system is the first nearly maintenance free humidifier on the market. With up to 90% humidity it provides the ultimate in product freshness, reducing dry-out losses significantly and extending product shelf life by more than 50%.

NOTE: An Arctica water treatment system for the supply line is recommended; in hard water conditions its mandatory. **Do not select a humidifier without floor drain!**

DEFOGGING SYSTEM: (optional)

The unique airflow of the M33 series cases makes the use of defogging systems unnecessary. Under extreme circumstances it may be added. Ask factory for advice.

COLOR CORRECTED LIGHTS: (standard)

All lights are protected with SPECTRUM sleeves to enhance the natural look of the product on display. The SPECTRUM sleeve provides a true color rendition, glare reduction and UV protection and works with a standard cool white fluorescent light.

EXTERIOR FINISHING:

All exterior components (work shelves, decor boards, kick boards, end panels) are made of first grade plywood for maximum durability, covered with your choice of materials. (plastic laminate, hardwood, stainless steel or Surell surfaces)

M33 SPECIFICATIONS & FINISHES

LENGTH & HEIGHT: (mm in brackets)

- 38.25" (972), 47.81" (1214), 57.38" (1457), 76.50" (1943), 95.63" (2429), 114.75" (2915)
- Add 1" (19) for each end panel.
- Case heights 49" (1245)
- **CORNER CASES (45 and 90 degree inside and outside) available for most models.**

CURVED FRONT GLASS: (standard)

- Tempered .25" curved glass, standard tilt-out (tilt forward), **hydraulic lift-up optional.**

NON-GLARE FRONT GLASS FOR M33: (optional - limited availability!)

- Tempered .25" curved NON-GLARE glass, standard tilt-out, **hydraulic lift-up optional.**
(No corner cases available for Non Glare Glass!)

SHELF & SIDE GLASS: Tempered glass, .25". End glass with mirror film optional.

SLIDING DOORS: 3/8" pet G plexi glass in aluminum frame. Mirror film optional.

UPPER STRUCTURE / STRUT ASSEMBLY:

- White or black epoxy powder coated standard, 7 more optional colors available.

LIGHT CANOPIES / GLASS CLAMPS:

- Brass or chrome polished anodized aluminum standard, 9 epoxy paint colors optional.

DECOR & KICK BOARDS, END PANELS & WORK COUNTERS:

- Plywood, choice of 8 standard plastic laminates (see Color Chart)
- Other plastic laminates, hardwood or stainless steel optional.
- Fixed 12" work shelf (M33) available in Surell (white), sani board (white) or stainless steel.
- Fold-down 8" work shelf for M36 available in the same finishes.

AIRDUCTS / INLAYS: Mirror finished stainless steel standard, epoxy paint colors optional.

FLUORESCENT LAMPS:

- T8 cool white with SPECTRUM color correcting and UV protecting security sleeve.

SANITATION APPROVALS:

- All Arctica showcases are **ETL sanitation listed to NSF standards 2, 4 and 7.**

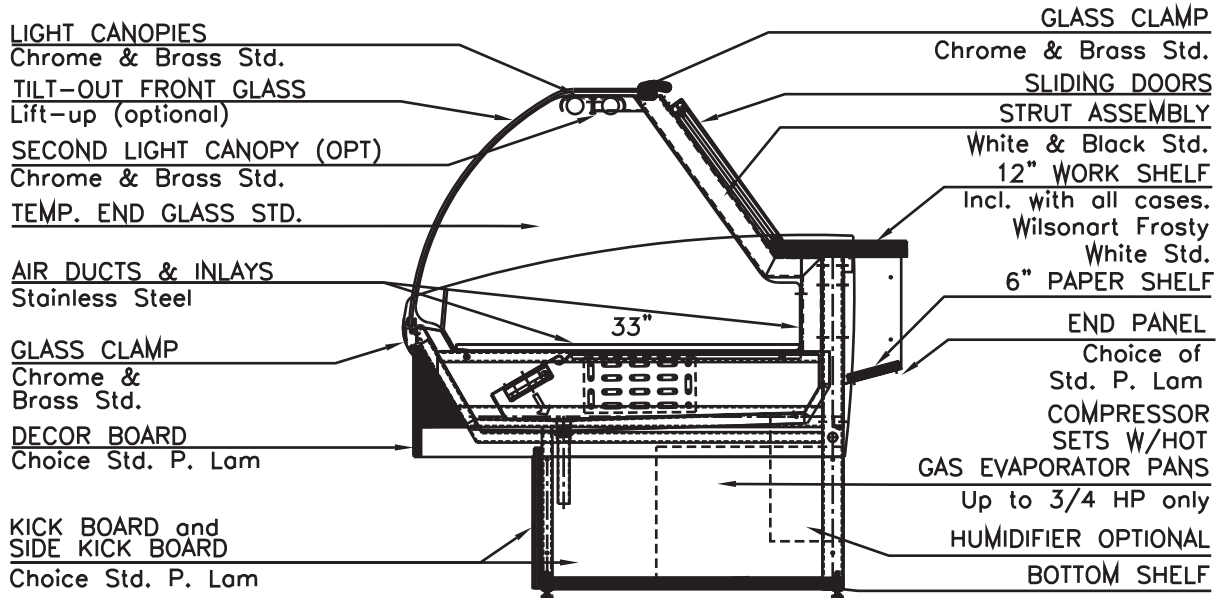
WARRANTY:

- All Arctica products are covered by a **ONE YEAR PARTS & LABOR** warranty.
- Refrigerated cases ordered with self-contained refrigeration system are automatically covered for an **additional four (4) years parts replacement for the motor compressor.**

(See pages 1 and 2 under General Information)



STANDARD SPECIFICATIONS & FINISHES



MRM-REFRIGERATED
WITH LENS GLASS
(NO EXTRA CHARGE)

NON-GLARE GLASS
(NG) OPTIONAL

