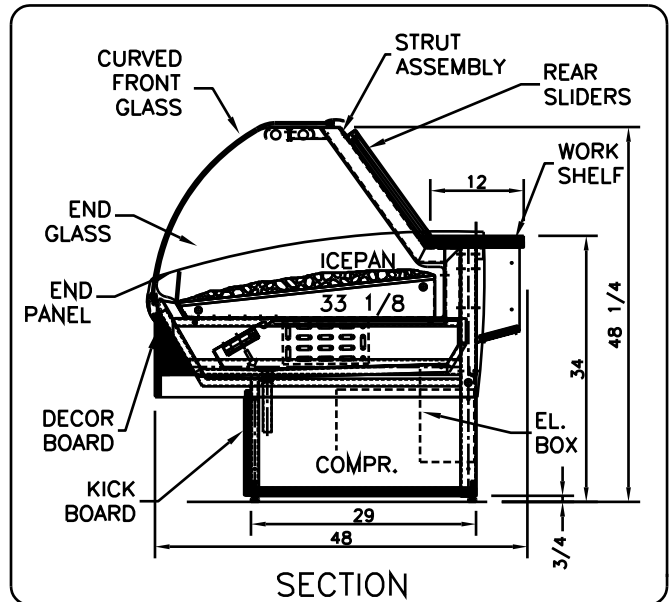
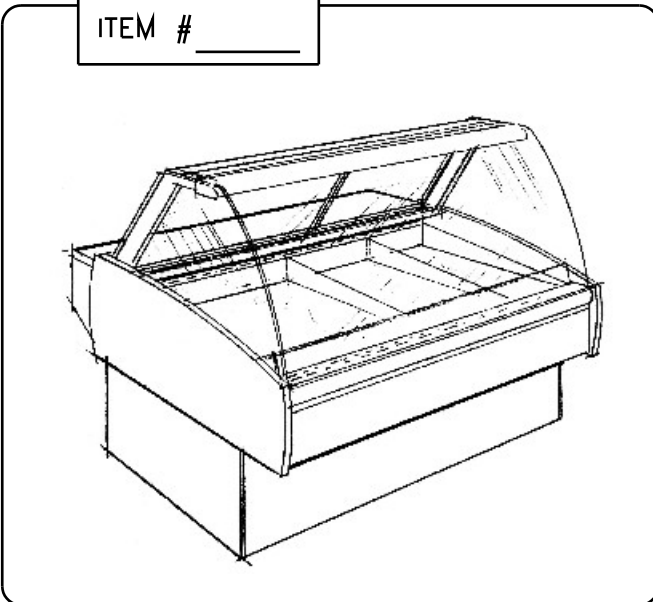




# The M33 Series

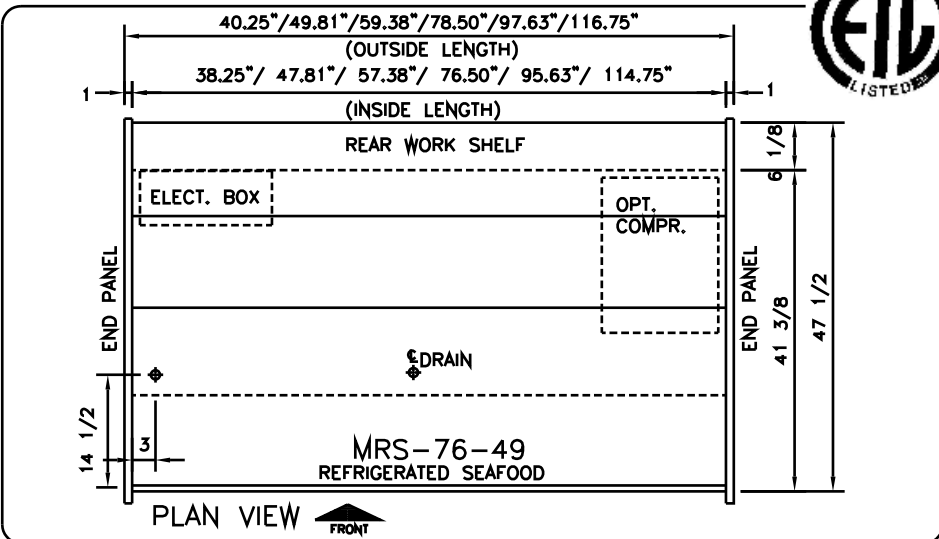
## MRS-REFRIGERATED SEAFOOD

ITEM # \_\_\_\_\_



SPECS: Aluminum frame; leveling legs; series 300 stainless steel interior; epoxy paint upper structure; anodized aluminum trim; .25 tempered end glass; tilt-out front glass STD.; lights w/spectrum sleeves; 3/4" plywood finish millwork; self-contained (R134a) w/ hot gas evaporator or remote. Refrigerated cases are engineered to operate in a controlled environment not exceeding 75°F and 55% relative humidity. FLOOR DRAIN REQUIRED. ETL sanitation listed to NSF 7.

- |                              |                          |          |
|------------------------------|--------------------------|----------|
| <b>EUROPEAN CURVED GLASS</b> | Standard                 | Optional |
| Tilt-Out Front Glass         | <input type="checkbox"/> |          |
| Lift-Up Front Glass          | <input type="checkbox"/> |          |
| Non-Glare Glass              | <input type="checkbox"/> |          |



- |                            |                          |
|----------------------------|--------------------------|
| <b>UPPER STRUCTURE</b>     |                          |
| Epoxy Paint -White         | <input type="checkbox"/> |
| Epoxy Paint -Black         | <input type="checkbox"/> |
| Epoxy Paint - other colors | <input type="checkbox"/> |

- |                      |                          |
|----------------------|--------------------------|
| <b>ALUMINUM TRIM</b> |                          |
| Chrome Anodized      | <input type="checkbox"/> |
| Brass Anodized       | <input type="checkbox"/> |
| Epoxy paint colors   | <input type="checkbox"/> |

- |                           |                          |
|---------------------------|--------------------------|
| <b>END/ DIVIDER GLASS</b> |                          |
| 1/4" Tempered             | <input type="checkbox"/> |
| 1/4" Temp.-Mirror Film    | <input type="checkbox"/> |

- |                      |                          |
|----------------------|--------------------------|
| <b>SLIDING DOORS</b> |                          |
| Clear Plexi          | <input type="checkbox"/> |
| Plexi w/ Mirror Film | <input type="checkbox"/> |

- |                                   |                          |
|-----------------------------------|--------------------------|
| <b>END PANELS/DECOR BD/KICKBD</b> |                          |
| Pl.Laminate on Plywood            | <input type="checkbox"/> |
| Maple,Cherry,Oak Veneer           | <input type="checkbox"/> |
| Stainless Steel                   | <input type="checkbox"/> |

MODEL	LENGTH in mm	VOLTAGE	AMPS REMOTE <input type="checkbox"/>	AMPS SELF-CONT. <input type="checkbox"/>
<input type="checkbox"/> MRS-38-49	38.25" 972	115V/1/60	3.1	13.1
<input type="checkbox"/> MRS-48-49	47.81" 1214	115V/1/60	3.1	15.1
<input type="checkbox"/> MRS-57-49	57.38" 1457	115V/1/60	3.3	15.3
<input type="checkbox"/> MRS-76-49	76.50" 1943	115V/1/60	6.2	18.2
<input type="checkbox"/> MRS-96-49	95.63" 2429	115V/1/60 230V/1/60	6.2	7.1 8.7
<input type="checkbox"/> MRS-115-49	114.75" 2915	115V/1/60 230V/1/60	6.6	6.7 8.7

- |                        |                          |
|------------------------|--------------------------|
| <b>REAR WORK SHELF</b> |                          |
| Wilsonart Fr. White    | <input type="checkbox"/> |
| Saniboard              | <input type="checkbox"/> |
| Surell                 | <input type="checkbox"/> |
| Stainless Steel        | <input type="checkbox"/> |
| Double Top Light       | <input type="checkbox"/> |
| Nose Light             | <input type="checkbox"/> |